



Pumps & Systems



SVT

Vertical Multi-Stage Pumps

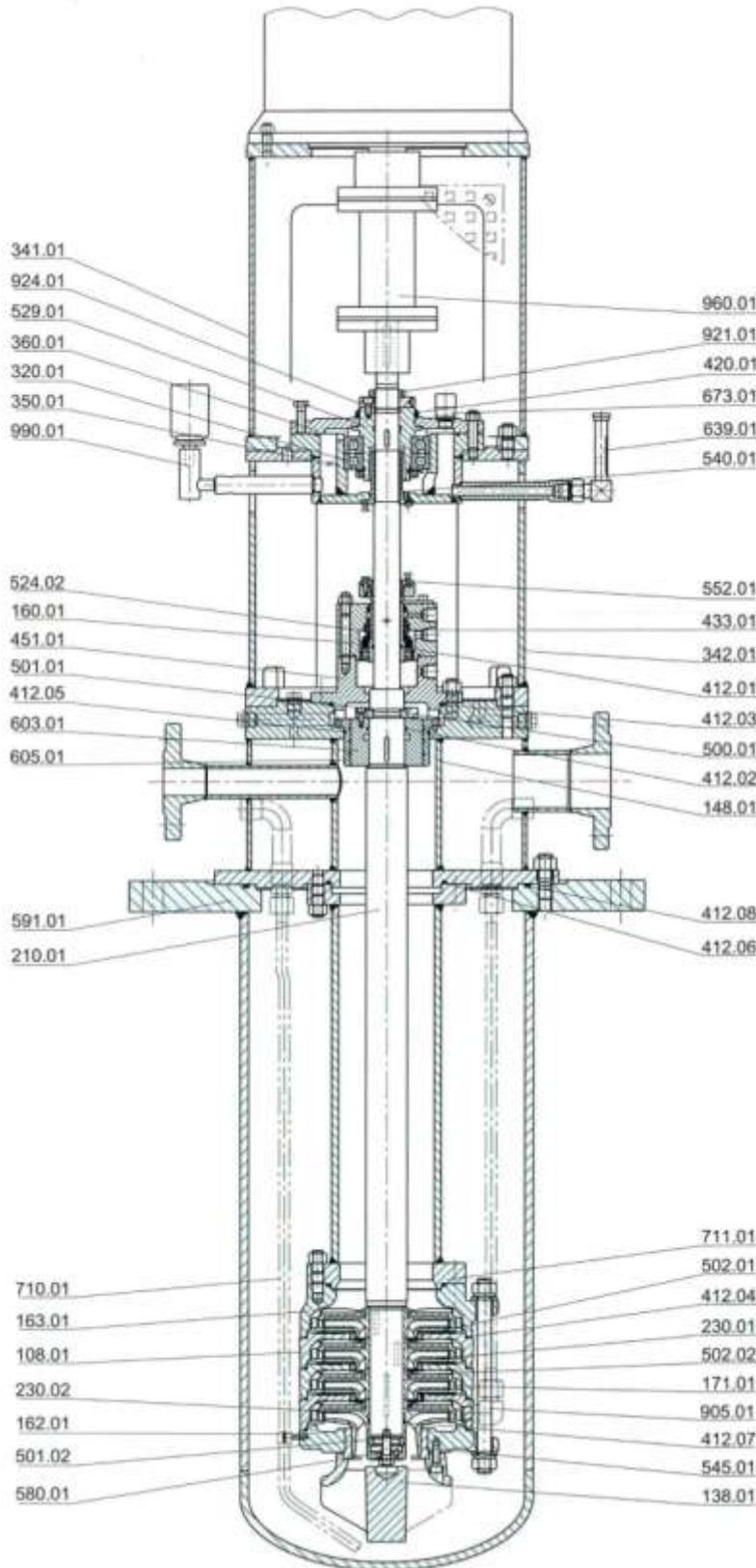


Source Pumps & Systems Co., LTD.

www.sourcegroup.com.cn

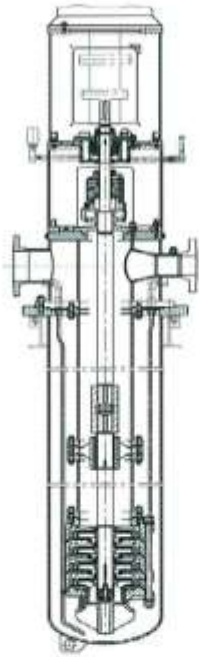
- Instruction SVT is vertical, multistage, single suction, centrifugal pump. It is used to pump the medium flammable, explosive, volatile, poisonous, high temperature, such as methane, ethane propane, ethylene, propylene, as well as other liquefied gas and light hydrocarbon. Designing according to API610 standard.
- Performance
 - @ Flow Q: up to 800m³/h
 - @ Head H: up to 800m
 - @ Pressure P: up to 10.0MPa
 - @ Temperature T:-180——+180℃
- Applications
 - @ Petrochemical industry
 - @ Refinery
 - @ Power plant
 - @ Low-temperature engineering
 - @ Pipeline Pressured
 - @ Off-shore oil extraction platform
- Features SVT is vertical cartridge multistage centrifugal pump, the integrated structure is designed according to API610. It is highly reliable and well interchanged. The first-stage impeller which is suction impeller locates at the lowest end of pump. Which can satisfy the critical requirements of NPSH by equipment. The balance device is installed in the middle of pump, 95% of the axial force is balanced by balance device which also effects as center support. A diagonal contacting ball bearing can balance the residual axial force. The bearing is lubricated by oil and equipped with independent internal circulation, self-lubrication system and oil level control system.
- The bearing operated on a good condition so that its lifetime is long. The length of the case outside and the assembly depth of pump are decided by the requirement of NPSH by equipment. When the pump assembly depth is up to certain degree, option the middle supporting structure.
- More than 10 kinds of material available, including 20g, 16Mn, 304, 304L, 316, 316L, 904, 904, CD4MCu etc. The seal type is available for single and double-end and tandem mechanical seal. It can also be equipped with cooling, flushing, heating and seal liquid circulation system.
- The pump rotates CCW viewing from the driving end.

Section Drawing

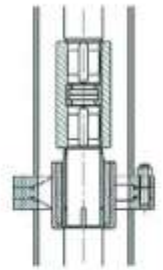


- 108.01 Stage Casing
- 138.01 Suction
- 148.01 Suction/Discharge Casing
- 160.01 Sealing Cover
- 162.01 Suction Cover
- 163.01 Discharge Cover
- 171.01 Diffuser
- 210.01 Shaft
- 230.01 Impeller
- 230.02 Impeller (first stage)
- 320.01 Bearing
- 341.01 Motor Bracket
- 342.01 Bearing Bracket
- 350.01 Bearing Housing
- 360.01 Bearing Cover
- 412.01 O-Ring
- 412.02 O-Ring
- 412.03 O-Ring
- 412.04 O-Ring
- 412.05 O-Ring
- 412.06 O-Ring
- 412.07 O-Ring
- 412.08 O-Ring
- 420.01 V-Ring
- 433.01 Mechanical Seal
- 451.01 Seal Housing
- 500.01 Ring
- 501.01 Ring
- 501.02 Ring
- 502.01 Wear Ring
- 502.02 Wear Ring
- 524.02 Shaft Sleeve
- 529.01 Bearing Sleeve
- 540.01 Shaft Sleeve
- 545.01 Bearing Sleeve
- 552.01 Clamp Device
- 580.01 Sleeve
- 591.01 Tank
- 603.01 Balance Drum
- 605.01 Balance Drum Sleeve
- 639.01 Oil gauge
- 673.01 Vent Cover
- 710.01 Pipe
- 711.01 Supporting Pipe
- 905.01 Connection Bolt
- 921.01 Circular Nut
- 924.01 Nut
- 960.01 Coupling
- 990.01 Oiler

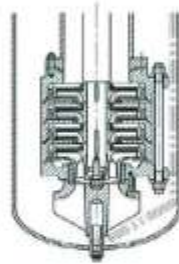
Structure



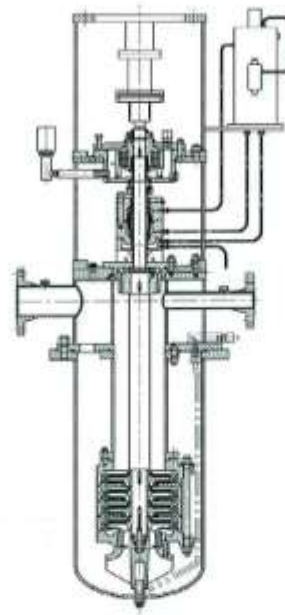
Without balance device



With medial support

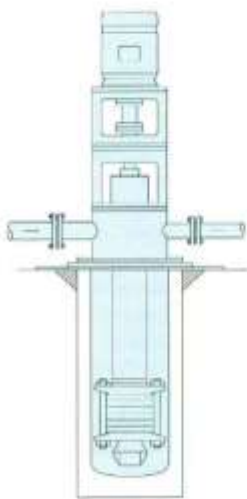


With inducer

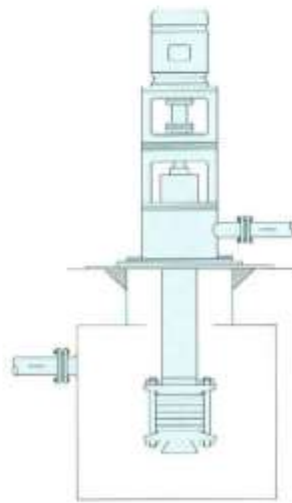


Sealing fluid circulation system

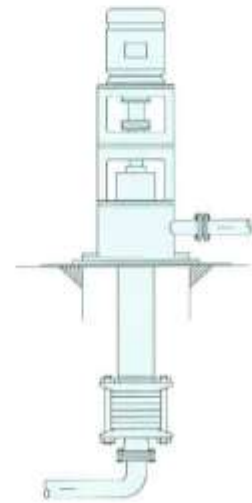
Installation Methods



Standard installation

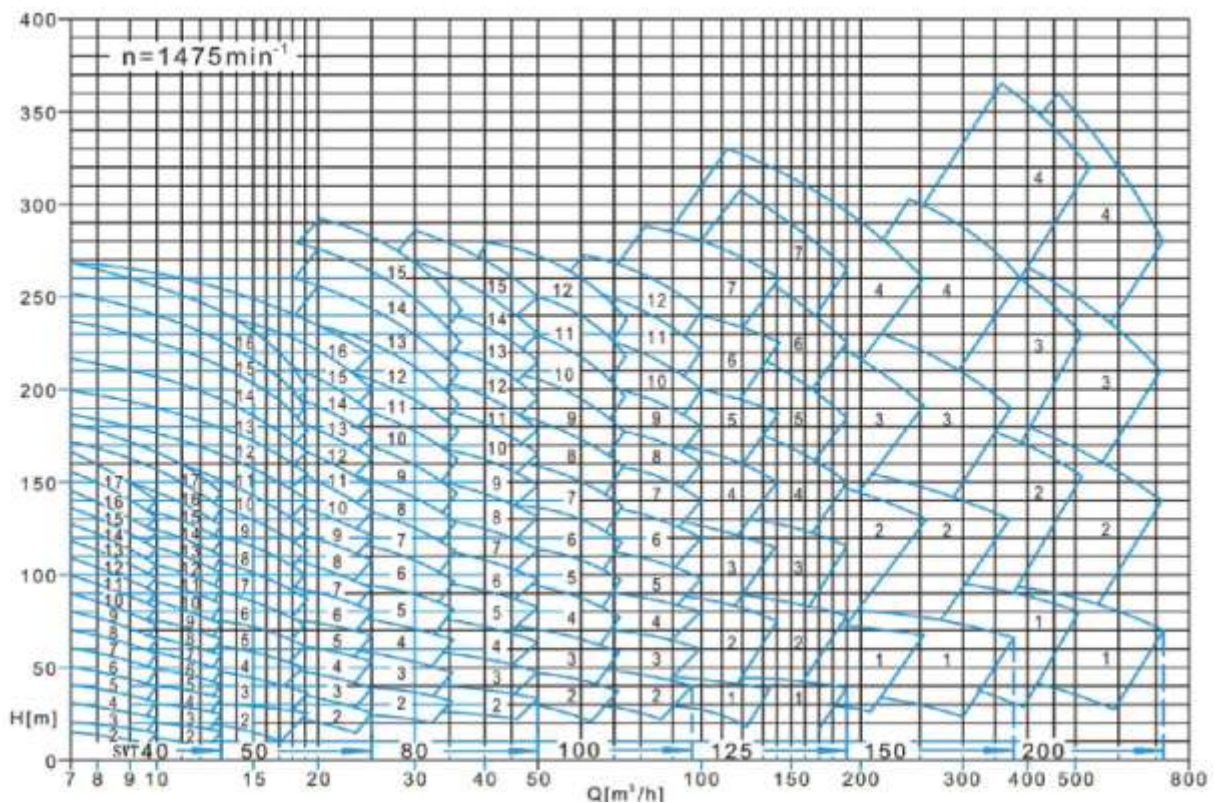
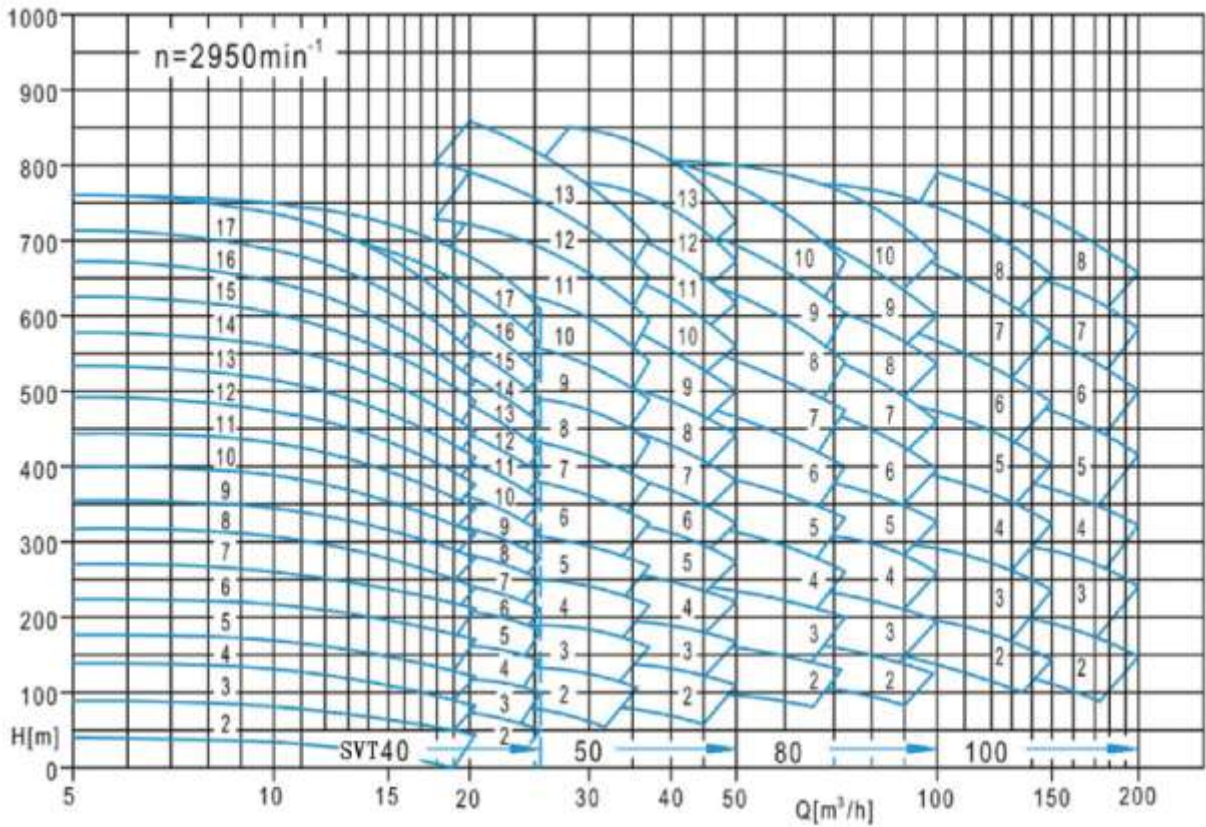


Installed on the container



With connection flange

Pange of performance



SVT Table of Standard Performance

型号 Type	比转数 n_s	叶轮 直径 SY. D(mm)	流量 Q (m ³ /h)	扬程 H (m)	转速 Speed r/min	效率 η Eff.	首级叶轮 NPSH ₁ m	电机型号及功率 Type and Power(kW)					
								输送介质比重 Proportion					
								$\gamma=0.5$		$\gamma=0.7$		$\gamma=1$	
								功率 Power	型号 Type	功率 Power	型号 Type	功率 Power	型号 Type
40x2	56.2	180	20	70	2950	0.54	1.4	5.5	Y132S1-2	7.5	Y132S2-2	11	Y160M1-2
40x3				105	2950	0.54	1.4	7.5	Y132S2-2	11	Y160M1-2	15	Y160M2-2
40x4				140	2950	0.54	1.4	11	Y160M1-2	15	Y160M2-2	18.5	Y160L-2
40x5				175	2950	0.54	1.4	11	Y160M1-2	15	Y160M2-2	22	Y180M-2
40x6				210	2950	0.54	1.4	15	Y160M2-2	18.5	Y160L-2	30	Y200L1-2
40x7				245	2950	0.54	1.4	15	Y160M2-2	22	Y180M-2	30	Y200L1-2
40x8				280	2950	0.54	1.4	18.5	Y160L-2	30	Y200L1-2	37	Y200L2-2
40x9				315	2950	0.54	1.4	22	Y180M-2	30	Y200L1-2	37	Y200L2-2
40x10				350	2950	0.54	1.4	22	Y180M-2	30	Y200L1-2	45	Y225M-2
40x11				385	2950	0.54	1.4	30	Y200L1-2	37	Y200L2-2	45	Y225M-2
40x12				420	2950	0.54	1.4	30	Y200L1-2	37	Y200L2-2	55	Y250M-2
40x13				455	2950	0.54	1.4	30	Y200L1-2	37	Y200L2-2	55	Y250M-2
40x14				490	2950	0.54	1.4	30	Y200L1-2	45	Y225M-2	75	Y280S-2
40x15				525	2950	0.54	1.4	30	Y200L1-2	45	Y225M-2	75	Y280S-2
40x16				560	2950	0.54	1.4	37	Y200L2-2	45	Y225M-2	75	Y280S-2
40x17				595	2950	0.54	1.4	37	Y200L2-2	55	Y250M-2	75	Y280S-2
40x2				68.3	180	29	88	2950	0.625	1.8	5.5	Y132S1-2	7.5
40x3	102	2950	0.625				1.8	11	Y160M1-2	11	Y160M1-2	18.5	Y160L-2
40x4	136	2950	0.625				1.8	11	Y160M1-2	15	Y160M2-2	22	Y160M-2
40x5	170	2950	0.625				1.8	15	Y160M2-2	18.5	Y160L-2	30	Y200L1-2
40x6	204	2950	0.625				1.8	18.5	Y160L-2	22	Y180M-2	37	Y200L2-2
40x7	238	2950	0.625				1.8	22	Y180M-2	30	Y200L1-2	37	Y200L2-2
40x8	272	2950	0.625				1.8	22	Y180M-2	30	Y200L1-2	45	Y225M-2
40x9	306	2950	0.625				1.8	30	Y200L1-2	37	Y200L2-2	45	Y225M-2
40x10	340	2950	0.625				1.8	30	Y200L1-2	37	Y200L2-2	55	Y250M-2
40x11	374	2950	0.625				1.8	30	Y200L1-2	45	Y225M-2	55	Y250M-2
40x12	408	2950	0.625				1.8	30	Y200L1-2	45	Y225M-2	75	Y280S-2
40x13	442	2950	0.625				1.8	37	Y200L2-2	45	Y225M-2	75	Y280S-2
40x14	476	2950	0.625				1.8	37	Y200L2-2	55	Y225M-2	75	Y280S-2
40x15	510	2950	0.625				1.8	37	Y200L2-2	55	Y225M-2	75	Y280S-2
40x16	544	2950	0.625				1.8	45	Y225M-2	55	Y225M-2	75	Y280S-2
40x17	578	2950	0.625				1.8	45	Y225M-2	75	Y280S-2	90	Y280M-2
40x2	56.2	180	10				17	1470	0.52	0.5	0.75	Y802-4	0.75
40x3				25.5	1470	0.52	0.5	1.1	Y90S-4	1.5	Y90L-4	2.2	Y100L1-4
40x4				34	1470	0.52	0.5	1.1	Y90S-4	2.2	Y100L1-4	2.2	Y100L1-4
40x5				42.5	1470	0.52	0.5	1.5	Y90L-4	2.2	Y100L1-4	3	Y100L2-4
40x6				51	1470	0.52	0.5	2.2	Y100L1-4	3	Y100L1-4	4	Y112M-4
40x7				59.5	1470	0.52	0.5	2.2	Y100L1-4	3	Y100L2-4	4	Y112M-4
40x8				68	1470	0.52	0.5	2.2	Y100L1-4	4	Y112M-4	5.5	Y132S-4
40x9				76.5	1470	0.52	0.5	3	Y100L2-4	4	Y112M-4	5.5	Y132S-4
40x10				85	1470	0.52	0.5	3	Y100L2-4	4	Y112M-4	7.5	Y132M-4
40x11				93.5	1470	0.52	0.5	3	Y100L2-4	5.5	Y132S-4	7.5	Y132M-4
40x12				102	1470	0.52	0.5	4	Y112M-4	5.5	Y132S-4	7.5	Y132M-4
40x13				110.5	1470	0.52	0.5	4	Y112M-4	5.5	Y132S-4	7.5	Y132M-4
40x14				119	1470	0.52	0.5	4	Y112M-4	5.5	Y132S-4	11	Y160M1-4
40x15				127.5	1470	0.52	0.5	5.5	Y132S-4	7.5	Y132M-4	11	Y160M1-4
40x16				136	1470	0.52	0.5	5.5	Y132S-4	7.5	Y132M-4	11	Y160M1-4
40x17				144.5	1470	0.52	0.5	5.5	Y132S-4	7.5	Y132M-4	11	Y160M1-4
40x2				68.3	180	14	17	1470	0.605	0.5	0.75	Y802-4	1.1
40x3	25.5	1470	0.605				0.5	1.1	Y90S-4	1.5	Y90L-4	2.2	Y100L1-4
40x4	34	1470	0.605				0.5	1.5	Y90L-4	2.2	Y100L1-4	3	Y100L2-4
40x5	42.5	1470	0.605				0.5	2.2	Y100L1-4	3	Y100L2-4	4	Y112M-4
40x6	51	1470	0.605				0.5	2.2	Y100L1-4	3	Y100L2-4	4	Y112M-4
40x7	59.5	1470	0.605				0.5	3	Y100L2-4	4	Y112M-4	5.5	Y132S-4
40x8	68	1470	0.605				0.5	3	Y100L2-4	4	Y112M-4	5.5	Y132S-4
40x9	76.5	1470	0.605				0.5	3	Y100L2-4	5.5	Y132S-4	7.5	Y132M-4
40x10	85	1470	0.605				0.5	4	Y112M-4	5.5	Y132S-4	7.5	Y132M-4

SVT Table of Standard Performance

泵型号 Type	比转数 n_s	叶轮 直径 SY: D(mm)	流量 Q (m ³ /h)	扬程 H (m)	转速 Speed r/min	效率 η Eff.	百米叶轮 NPSH: m	电机型号及功率 Type and Power(kW)					
								输送介质比重 Proportion					
								$\gamma=0.5$		$\gamma=0.7$		$\gamma=1$	
								功率 Power	型号 Type	功率 Power	型号 Type	功率 Power	型号 Type
40x11	56.2	180	10	93.5	1470	0.605	0.5	4	Y112M-4	5.5	Y132S-4	7.5	Y132M-4
40x12				102	1470	0.605	0.5	4	Y112M-4	7.5	Y132M-4	11	Y160M-4
40x13				110.5	1470	0.605	0.5	5.5	Y132S-4	7.5	Y132M-4	11	Y160M-4
40x14				119	1470	0.605	0.5	5.5	Y132S-4	7.5	Y132M-4	11	Y160M-4
40x15				127.5	1470	0.605	0.5	5.5	Y132S-4	7.5	Y132M-4	11	Y160M-4
40x16				136	1470	0.605	0.5	5.5	Y132S-4	7.5	Y132M-4	11	Y160M-4
40x17				144.5	1470	0.605	0.5	7.5	Y132M-4	11	Y160M-4	15	Y160M-4
50x2				25	1470	0.575	0.5	2.2	Y100L1-4	2.2	Y90L-4	4	Y112M-4
50x3	37.5	1470	0.575	0.5	3	Y100L2-4	4	Y112M-4	5.5	Y132S-4			
50x4	50	1470	0.575	0.5	4	Y112M-4	5.5	Y132S-4	7.5	Y132M-4			
50x5	62.5	1470	0.575	0.5	4	Y112M-4	5.5	Y132S-4	11	Y160M-4			
50x6	75	1470	0.575	0.5	5.5	Y132S-4	7.5	Y132M-4	11	Y160M-4			
50x7	87.5	1470	0.575	0.5	5.5	Y132S-4	11	Y160M-4	11	Y160M-4			
50x8	100	1470	0.575	0.5	7.5	Y132M-4	11	Y160M-4	15	Y160L-4			
50x9	112.5	1470	0.575	0.5	7.5	Y132M-4	11	Y160M-4	15	Y160L-4			
50x10	125	1470	0.575	0.5	11	Y160M-4	11	Y160M-4	18.5	Y180M-4			
50x11	137.5	1470	0.575	0.5	11	Y160M-4	15	Y160L-4	18.5	Y180M-4			
50x12	150	1470	0.575	0.5	11	Y160M-4	15	Y160L-4	18.5	Y180M-4			
50x13	162.5	1470	0.575	0.5	11	Y160M-4	15	Y160L-4	22	Y180L-4			
50x14	175	1470	0.575	0.5	11	Y160M-4	18.5	Y180M-4	22	Y180L-4			
50x15	187.5	1470	0.575	0.5	11	Y160M-4	18.5	Y180M-4	30	Y200L-4			
50x16	200	1470	0.575	0.5	15	Y160L-4	18.5	Y180M-4	30	Y200L-4			
50x2	61.3	215	21	102	2950	0.6	1.7	15	Y160M2-2	18.5	Y160L-2	30	Y200L1-2
50x3				153	2950	0.6	1.7	18.5	Y160L-2	30	Y200L1-2	37	Y200L2-2
50x4				204	2950	0.6	1.7	30	Y200L1-2	37	Y200L2-2	45	Y225M-2
50x5				255	2950	0.6	1.7	30	Y200L1-2	45	Y225M-2	55	Y250M-2
50x6				306	2950	0.6	1.7	37	Y200L2-2	55	Y250M-2	75	Y280S-2
50x7				357	2950	0.6	1.7	45	Y225M-2	55	Y250M-2	75	Y280S-2
50x8				408	2950	0.6	1.7	45	Y225M-2	75	Y280S-2	90	Y280M-2
50x9				459	2950	0.6	1.7	55	Y250M-2	75	Y280S-2	110	Y315S-2
50x10				510	2950	0.6	1.7	55	Y250M-2	75	Y280S-2	110	Y315S-2
50x11				561	2950	0.6	1.7	75	Y280S-2	90	Y280M-2	132	Y315M-2
50x12				612	2950	0.6	1.7	75	Y280S-2	90	Y280M-2	132	Y315M-2
50x13				663	2950	0.6	1.7	75	Y280S-2	110	Y315S-2	160	Y315L1-2
50x14				714	2950	0.6	1.7	75	Y280S-2	110	Y315S-2	160	Y315L1-2
50x15				765	2950	0.6	1.7	90	Y280M-2	132	Y315M-2	160	Y315L1-2
50x16				816	2950	0.6	1.7	90	Y280M-2	132	Y315M-2	185	Y315L-2
50x2				68.6	215	54	104	2950	0.66	2	15	Y160M2-2	22
50x3	156	2950	0.66				2	22	Y180M-2	30	Y200L1-2	45	Y225M-2
50x4	208	2950	0.66				2	30	Y200L1-2	37	Y200L2-2	55	Y250M-2
50x5	260	2950	0.66				2	37	Y200L2-2	55	Y250M-2	75	Y280S-2
50x6	312	2950	0.66				2	45	Y225M-2	55	Y250M-2	90	Y280M-2
50x7	364	2950	0.66				2	55	Y250M-2	75	Y280S-2	90	Y280M-2
50x8	416	2950	0.66				2	55	Y250M-2	75	Y280S-2	110	Y315S-2
50x9	468	2950	0.66				2	75	Y280S-2	90	Y280M-2	132	Y315M-2
50x10	520	2950	0.66				2	75	Y280S-2	90	Y280M-2	132	Y315M-2
50x11	572	2950	0.66				2	75	Y280S-2	110	Y315S-2	160	Y315L1-2
50x12	624	2950	0.66				2	90	Y280M-2	110	Y315S-2	160	Y315L1-2
50x13	676	2950	0.66				2	90	Y280M-2	132	Y315M-2	185	Y315L-2
50x14	728	2950	0.66				2	90	Y280M-2	132	Y315M-2	185	Y315L-2
50x15	780	2950	0.66				2	110	Y315S-2	160	Y315L1-2	200	Y355L2-2
50x16	832	2950	0.66				2	110	Y315S-2	160	Y315L1-2	220	Y355M1-2
50x2	68.6	215	27				25	1470	0.64	0.6	2.2	Y100L1-4	3
50x3				37.5	1470	0.64	0.6	3	Y100L2-4	4	Y112M-4	5.5	Y132S-4
50x4				50	1470	0.64	0.8	4	Y112M-4	5.5	Y132S-4	7.5	Y132M-4
50x5				62.5	1470	0.64	0.8	5.5	Y132S-4	7.5	Y132M-4	11	Y160M-4
50x6				75	1470	0.64	0.6	5.5	Y132S-4	7.5	Y132M-4	11	Y160M-4

SVT Table of Standard Performance

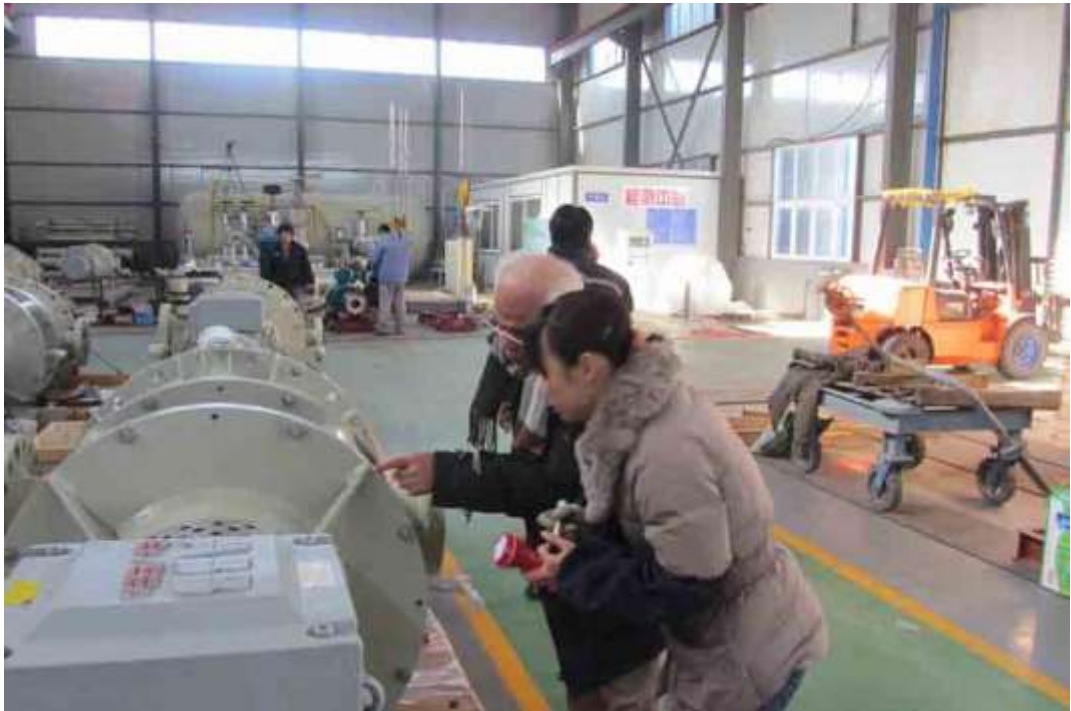
泵型号 Type	比转数 n_s	叶轮 直径 SY, D(mm)	流量 Q (m ³ /h)	扬程 H (m)	转速 Speed r/min	效率 η Eff.	首级叶轮 NPSH ₁ m	电机型号及功率 Type and Power(kW)								
								输送介质比重 Proportion								
								$\gamma=0.5$		$\gamma=0.7$		$\gamma=1$				
								功率 Power	型号 Type	功率 Power	型号 Type	功率 Power	型号 Type			
50x7	68.6	215	27	87.5	1470	0.64	0.6	7.5	Y132M-4	11	Y160M-4	15	Y160L-4			
50x8				100	1470	0.64	0.6	7.5	Y132M-4	11	Y160M-4	15	Y160L-4			
50x9				112.5	1470	0.64	0.6	11	Y160M-4	11	Y160M-4	18.5	Y180M-4			
50x10				125	1470	0.64	0.6	11	Y160M-4	15	Y160L-4	18.5	Y180M-4			
50x11				137.5	1470	0.64	0.6	11	Y160M-4	15	Y160L-4	22	Y180L-4			
50x12				150	1470	0.64	0.6	11	Y160M-4	15	Y160L-4	22	Y180L-4			
50x13				162.5	1470	0.64	0.6	15	Y160L-4	18.5	Y180M-4	30	Y200L-4			
50x14				175	1470	0.64	0.6	15	Y160L-4	18.5	Y180M-4	30	Y200L-4			
50x15				187.5	1470	0.64	0.6	15	Y160L-4	18.5	Y180M-4	30	Y200L-4			
50x16				200	1470	0.64	0.6	15	Y160L-4	22	Y180L-4	30	Y200L-4			
80x2				68.3	240	39	34	1475	0.7	0.6	4	Y112M-4	5.5	Y132S-4	7.5	Y132M-4
80x3							51	1475	0.7	0.6	5.5	Y132S-4	7.5	Y132M-4	11	Y160M-4
80x4	68	1475	0.7				0.6	7.5	Y132M-4	11	Y160M-4	15	Y160L-4			
80x5	85	1475	0.7				0.6	11	Y160M-4	11	Y160M-4	18.5	Y180M-4			
80x6	102	1475	0.7				0.6	11	Y160M-4	15	Y160L-4	22	Y180L-4			
80x7	119	1475	0.7				0.6	11	Y160M-4	18.5	Y180M-4	22	Y180L-4			
80x8	136	1475	0.7				0.6	15	Y160L-4	18.5	Y180M-4	30	Y200L-4			
80x9	153	1475	0.7				0.6	15	Y160L-4	22	Y180L-4	30	Y200L-4			
80x10	170	1475	0.7				0.6	18.5	Y180M-4	22	Y180L-4	30	Y200L-4			
80x11	187	1475	0.7				0.6	18.5	Y180M-4	30	Y200L-4	37	Y225S-4			
80x12	204	1475	0.7				0.6	22	Y180L-4	30	Y200L-4	37	Y225S-4			
80x13	221	1475	0.7				0.6	22	Y180L-4	30	Y200L-4	45	Y225M-4			
80x14	238	1475	0.7				0.6	22	Y180L-4	30	Y200L-4	45	Y225M-4			
80x15	255	1475	0.7				0.6	30	Y200L-4	37	Y225S	45	Y225M-4			
80x2	68.3	240	78				134	2950	0.72	2.2	30	Y200L1-2	37	Y200L2-2	45	Y225M-2
80x3							201	2950	0.72	2.2	37	Y200L2-2	55	Y250M-2	75	Y280S-2
80x4							268	2950	0.72	2.2	45	Y225M-2	75	Y280S-2	90	Y280M-2
80x5							335	2950	0.72	2.2	75	Y280S-2	90	Y280M-2	110	Y315S-2
80x6				402	2950	0.72	2.2	75	Y280S-2	110	Y315S-2	132	Y315M-2			
80x7				469	2950	0.72	2.2	90	Y280M-2	110	Y315S-2	160	Y315L1-2			
80x8				536	2950	0.72	2.2	90	Y280M-2	132	Y315M-2	185	Y315L-2			
80x9				603	2950	0.72	2.2	110	Y315S-2	160	Y315L1-2	200	Y355L2-2			
80x10				670	2950	0.72	2.2	110	Y315S-2	160	Y315L1-2	220	Y355M1-2			
80x11				737	2950	0.72	2.2	132	Y315M-2	185	Y315L-2	250	Y355M2-2			
80x12				804	2950	0.72	2.2	132	Y315M-2	185	Y315L-2	280	Y355L1-2			
80x13				871	2950	0.72	2.2	160	Y315L1-2	200	Y355L2-2	315	Y355L2-2			
80x14				938	2950	0.72	2.2	160	Y315L1-2	220	Y355M1-2	315	Y355L2-2			
80x15				1005	2950	0.72	2.2	185	Y315L-2	250	Y355M2-2					
80x2				81.8	240	55	32	1475	0.73	0.8	4	Y112M-4	7.5	Y132M-4	11	Y160M-4
80x3							48	1475	0.73	0.8	7.5	Y132M-4	11	Y160M-4	15	Y160L-4
80x4							64	1475	0.73	0.8	11	Y160M-4	11	Y160M-4	18.5	Y180M-4
80x5							80	1475	0.73	0.8	11	Y160M-4	15	Y160L-4	22	Y180L-4
80x6	96	1475	0.73				0.8	15	Y160L-4	18.5	Y180M-4	30	Y200L-4			
80x7	112	1475	0.73				0.8	15	Y160L-4	22	Y180L-4	30	Y200L-4			
80x8	128	1475	0.73				0.8	18.5	Y180M-4	30	Y200L-4	30	Y200L-4			
80x9	144	1475	0.73				0.8	18.5	Y180M-4	30	Y200L-4	37	Y225S-4			
80x10	160	1475	0.73				0.8	22	Y180L-4	30	Y200L-4	37	Y225S-4			
80x11	176	1475	0.73				0.8	22	Y180L-4	30	Y200L-4	45	Y225M-4			
80x12	192	1475	0.73				0.8	30	Y200L-4	37	Y225S-4	45	Y225M-4			
80x13	208	1475	0.73				0.8	30	Y200L-4	37	Y225S-4	55	Y250M-4			
80x14	224	1475	0.73				0.8	30	Y200L-4	37	Y225S-4	55	Y250M-4			
80x15	240	1475	0.73				0.8	30	Y200L-4	45	Y225M-4	75	Y280S-4			
80x2	81.8	240	110				130	2950	0.75	3.2	30	Y200L1-2	45	Y225M-2	75	Y280S-2
80x3							195	2950	0.75	3.2	45	Y225M-2	75	Y280S-2	90	Y280M-2
80x4							260	2950	0.75	3.2	75	Y280S-2	90	Y280M-2	132	Y315M-2
80x5							325	2950	0.75	3.2	75	Y280S-2	110	Y315S-2	160	Y315L1-2
80x6				390	2950	0.75	3.2	90	Y280M-2	132	Y315M-2	185	Y315L-2			

SVT Table of Standard Performance

泵型号 Type	比转数 n _s	叶轮 直径 SY: D(mm)	流量 Q (m ³ /h)	扬程 H (m)	转速 Speed r/min	效率 η Eff.	首级叶轮 NPSH ₁ m	电机型号及功率 Type and Power(kW)					
								输送介质比重 Proportion					
								γ=0.5		γ=0.7		γ=1	
								功率 Power	型号 Type	功率 Power	型号 Type	功率 Power	型号 Type
80×7	81.8	240	110	455	2950	0.75	3.2	110	Y315S-2	160	Y315L1-2	200	Y355L2-2
80×8				520	2950	0.75	3.2	132	Y315M-2	160	Y315L1-2	250	Y355M2-2
80×9				585	2950	0.75	3.2	132	Y315M-2	185	Y315L-2	280	Y355L1-2
80×10				650	2950	0.75	3.2	160	Y315L1-2	200	Y355L2-2	315	Y355L2-2
80×11				715	2950	0.75	3.2	160	Y315L1-2	220	Y355M1-2	315	Y355L2-2
80×12				780	2950	0.75	3.2	185	Y315L-2	250	Y355M2-2	355	
80×13				845	2950	0.75	3.2	185	Y315L-2	280	Y355L1-2	400	
80×14				910	2950	0.75	3.2	200	Y355L2-2	280	Y355L1-2	400	
80×15				975	2950	0.75	3.2	220	Y355M1-2	315	Y355L2-2	450	
100×2				82.9	260	77	41	1475	0.73	1.2	7.5	Y132M-4	11
100×3	61.5	1475	0.73				1.2	11	Y160M-4	15	Y160L-4	22	Y180L-4
100×4	82	1475	0.73				1.2	15	Y160L-4	22	Y180L-4	30	Y200L-4
100×5	102.5	1475	0.73				1.2	18.5	Y180M-4	30	Y200L-4	37	Y225S-4
100×6	123	1475	0.73				1.2	22	Y180L-4	30	Y200L-4	45	Y225M-4
100×7	143.5	1475	0.73				1.2	30	Y200L-4	37	Y225S-4	55	Y250M-4
100×8	164	1475	0.73				1.2	30	Y200L-4	37	Y225S-4	55	Y250M-4
100×9	184.5	1475	0.73				1.2	30	Y200L-4	45	Y225M-4	75	Y250M-4
100×10	205	1475	0.73				1.2	37	Y225S-4	55	Y250M-4	75	Y280S-4
100×11	225.5	1475	0.73				1.2	37	Y225S-4	55	Y250M-4	75	Y280S-4
100×12	246	1475	0.73	1.2	45	Y225M-4	75	Y280S-4	90	Y280M-4			
100×2	82.9	260	162	166	2950	0.76	4.5	55	Y250M-2	75	Y280S-2	110	Y315S-2
100×3				249	2950	0.76	4.5	90	Y280M-2	132	Y315M-2	160	Y315L1-2
100×4				332	2950	0.76	4.5	110	Y315S-2	160	Y315L1-2	220	Y355M1-2
100×5				415	2950	0.76	4.5	132	Y315M-2	185	Y315L-2	280	Y355L1-2
100×6				498	2950	0.76	4.5	160	Y315L1-2	250	Y355M2-2	355	
100×7				581	2950	0.76	4.5	185	Y315L-2	280	Y355L1-2	400	
100×8				664	2950	0.76	4.5	220	Y355M1-2	315	Y355L2-2	450	
100×9				747	2950	0.76	4.5	250	Y355M2-2	355		500	
100×10				830	2950	0.76	4.5	280	Y355L1-2	400		560	
100×11				913	2950	0.76	4.5	315	Y355L2-2	450		630	
100×12	996	2950	0.76	4.5	355		450		710				
100×2	93.4	260	100	41	1475	0.765	1	11	Y160M-4	15	Y160L-4	22	Y180L-4
100×3				61.5	1475	0.765	1	15	Y160L-4	22	Y180L-4	30	Y200L-4
100×4				82	1475	0.765	1	18.5	Y180M-4	30	Y200L-4	37	Y225S-4
100×5				102.5	1475	0.765	1	22	Y180L-4	30	Y200L-4	45	Y225M-4
100×6				123	1475	0.765	1	30	Y200L-4	37	Y225S-4	55	Y250M-4
100×7				143.5	1475	0.765	1	30	Y200L-4	45	Y225M-4	75	Y280S-4
100×8				164	1475	0.765	1	37	Y225S-4	55	Y250M-4	75	Y280S-4
100×9				184.5	1475	0.765	1	37	Y225S-4	55	Y250M-4	75	Y280S-4
100×10				205	1475	0.765	1	45	Y225M-4	75	Y280S-4	90	Y280M-4
100×11				225.5	1475	0.765	1	55	Y250M-4	75	Y280S-4	90	Y280M-4
100×12	246	1475	0.765	1	55	Y250M-4	75	Y280S-4	110	Y315S-4			
100×2	93.4	260	200	165	2950	0.78	4.5	75	Y280S-2	90	Y280M-2	132	Y315M-2
100×3				247.5	2950	0.78	4.5	110	Y315S-2	160	Y315L1-2	200	Y355L2-2
100×4				330	2950	0.78	4.5	132	Y315M-2	185	Y315L-2	250	Y355M2-2
100×5				412.5	2950	0.78	4.5	160	Y315L1-2	250	Y355M2-2	355	
100×6				495	2950	0.78	4.5	200	Y355L2-2	280	Y355L-2	400	
100×7				577.5	2950	0.78	4.5	250	Y355M2-2	315	Y355L2-2	450	
100×8				660	2950	0.78	4.5	280	Y355L1-2	355			
100×9				742.5	2950	0.78	4.5	315	Y355L2-2	400			
100×10				825	2950	0.78	4.5	355		450			
100×11				907.5	2950	0.78	4.5	355		500			
100×12	990	2950	0.78	4.5	400		560						
125×1	18.2	360	135	40	1475	0.72	8	15	Y160L-4	18.5	Y180M-4	30	Y200L-4
125×2				80	1475	0.72	8	30	Y200L-4	37	Y225S-4	55	Y250M-4
125×3				120	1475	0.72	8	37	Y225S-4	55	Y250M-4	75	Y280S-4

SVT Table of Standard Performance

泵型号 Type	比转数 n_s	叶轮 直径 SY. D(mm)	流量 Q (m ³ /h)	扬程 H (m)	转速 Speed r/min	效率 η Eff.	首级叶轮 NPSH ₁ m	电机型号及功率 Type and Power(kW)					
								输送介质比重 Proportion					
								$\gamma=0.5$		$\gamma=0.7$		$\gamma=1$	
								功率 Power	型号 Type	功率 Power	型号 Type	功率 Power	型号 Type
125×4	18.2	360	135	160	1475	0.72	8	55	Y250M-4	75	Y280S-4	90	Y280M-4
125×5				200	1475	0.72	8	75	Y280S-4	90	Y280M-4	132	Y315M-4
125×6				240	1475	0.72	8	75	Y280S-4	110	Y315S-4	160	Y315L1-4
125×7				280	1475	0.72	8	90	Y280M-4	110	Y315S-4	160	Y315L1-4
125×1	21.5	360	195	41	1475	0.775	2	15	Y160L-4	18.5	Y180M-4	30	Y200L-4
125×2				82	1475	0.775	2	30	Y200L-4	37	Y225S-4	55	Y250M-4
125×3				123	1475	0.775	2	37	Y225S-4	55	Y250M-4	75	Y280S-4
125×4				164	1475	0.775	2	55	Y250M-4	75	Y280S-4	110	Y315S-4
125×5				205	1475	0.775	2	75	Y280S-4	90	Y280M-4	132	Y315M-4
125×6				246	1475	0.775	2	75	Y280S-4	110	Y315S-4	160	Y315L1-4
125×7				287	1475	0.775	2	90	Y280M-4	132	Y315M-4	160	Y315L1-4
150×1				97.1	320	400	125	2980	0.82	9.8	110	Y315S-2	132
150×2	250	2980	0.82				9.8	185	Y315L-2	280	Y355L1-2	400	
150×3	375	2980	0.82				9.8	280	Y355L1-2	400		560	
150×4	500	2980	0.82				9.8	400		560		800	
150×1	79.2	330	290	132.5	2980	0.77	7	75	Y280S-2	110	Y315S-2	160	Y315L1V
150×2				265	2980	0.77	7	160	Y315L1-2	220	Y355M1-2	315	Y355L2-2
150×3				397.5	2980	0.77	7	250	Y355M2-2	315	Y355L2-2	450	
150×4				530	2980	0.77	7	315	Y355L2-2	450		630	
151×1	75.6	465	370	65	1480	0.78	5	55	Y250M-2	75	Y280S-2	110	Y315S-2
151×2				130	1480	0.78	5	110	Y315S-2	132	Y315M-2	185	Y315L-2
151×3				195	1480	0.78	5	160	Y315L1-2	200	Y315L2-2	280	Y355L1-2
151×4				260	1480	0.78	5	185	Y315L-2	280	Y355L1-2		
151×1	63.9	465	260	65	1470	0.74	3.5	37	Y225S-4	55	Y250M-4	75	Y280S-4
151×2				130	1470	0.74	3.5	75	Y280S-4	110	Y315S-4	160	Y315L1-4
151×3				195	1470	0.74	3.5	110	Y315S-4	160	Y315L1-4	220	Y355M1-4
151×4				260	1470	0.74	3.5	160	Y315L1-4	200	Y315L2-4	280	Y355L1-4
200×1	80.3	500	520	75	1475	0.78	2.5	75	Y280S-4	110	Y315S-4	160	Y315L1-4
200×2				150	1475	0.78	2.5	160	Y315L1-4	220	Y355M1-4	315	Y355L2-4
200×3				225	1475	0.78	2.5	250	Y355M2-4	315	Y355L2-4	450	
200×4				300	1475	0.78	2.5	315	Y355L2-4	450		630	
200×5				375	1475	0.78	2.5	400		560		800	
200×6				450	1475	0.78	2.5	450		630		900	
200×7				525	1475	0.78	2.5	560		800		1120	
200×1				93.1	370	600	172.5	2980	0.8	8	200	Y315L2-2	280
200×2	345	2980	0.8				8	400		560		800	
200×3	517.5	2980	0.8				8	630		900		1250	
200×4	690	2980	0.8				8	800		1120		1600	
200×5	862.5	2980	0.8				8	1000		1400		2000	
200×6	1035	2980	0.8				8	1600		1800		2500	
200×7	1207.5	2980	0.8				8	2000		2000		2700	
200×1	98.6	480	720				70	1475	0.82	4	110	Y315S-4	132
200×2				140	1475	0.82	4	185	Y315L-4	280	Y355L1-4	400	
200×3				210	1475	0.82	4	280	Y355L1-4	400		560	
200×4				280	1475	0.82	4	400		630		800	
200×5				350	1475	0.82	4	500		710		1000	
200×6				420	1475	0.82	4	560		800		1100	
200×7				490	1475	0.82	4	710		900		1400	
200×1	113.2	360	750	150	2980	0.81	12	220	Y355M1-2	315	Y355L2-2	450	
200×2				300	2980	0.81	12	450		630		900	
200×3				450	2980	0.81	12	630		900		1250	
200×4				600	2980	0.81	12	900		1400		1800	
200×5				750	2980	0.81	12	1120		1600		2240	
200×6				900	2980	0.81	12	1400		1800		2500	
200×7				1050	2980	0.81	12	1400		2240		3150	





Pumps & Systems



SOURCE PUMPS & SYSTEMS CO.,LTD

***Add: No.18 Xidian, Qian mu cheng yi, Ying cheng zi Street,
Ganjingzi District, Dalian, China 116036***

Tel: +86-411-39082835/+86-411-66853898

Fax: +86-411-86715305

E-mail: export@sourcegroup.com.cn

<http://www.sourcegroup.com.cn> <http://www.sourcepump.com>



Pumps & Systems

SVD

vertical suspended type lineshaft sump pump
(API610 VS4)



Source Pumps & Systems Co., LTD.

www.sourcegroup.com.cn

● Overview

Series SVD is a vertical single- or multi-stage centrifugal pump with the single-suction first-stage impeller, used for pumping clean or contaminated low- or high-temperature media and chemically neutral or corrosive media, especially for pumping sewage, sump oil and other liquids.

Series SVD pumps comply with the design requirements in API 610 10th/API 610 11th.

● Application range

- ◎ Petrochemical plant
- ◎ Chemical plant
- ◎ Waterworks
- ◎ Paper making plant
- ◎ Cement plant
- ◎ Steel mills
- ◎ Steel rolling company
- ◎ Sewage pumping for city sewage farm
- ◎ Thermal power company
- ◎ Sewage pumping for offshore oil extraction

● Technical

- ◎ Capacity Q: up to 2 ~ 400 m³/h
- ◎ Head H: up to 4 ~ 100 m
- ◎ Pressure P: up to 2.5 MPa
- ◎ Temperature t: -20 ~ +120°C

● Materials

Main materials: S-3, S-5, S-6, S-8, S-9, C-6, A-7, A-8, D-1, D-2 or other materials.

● Sealing

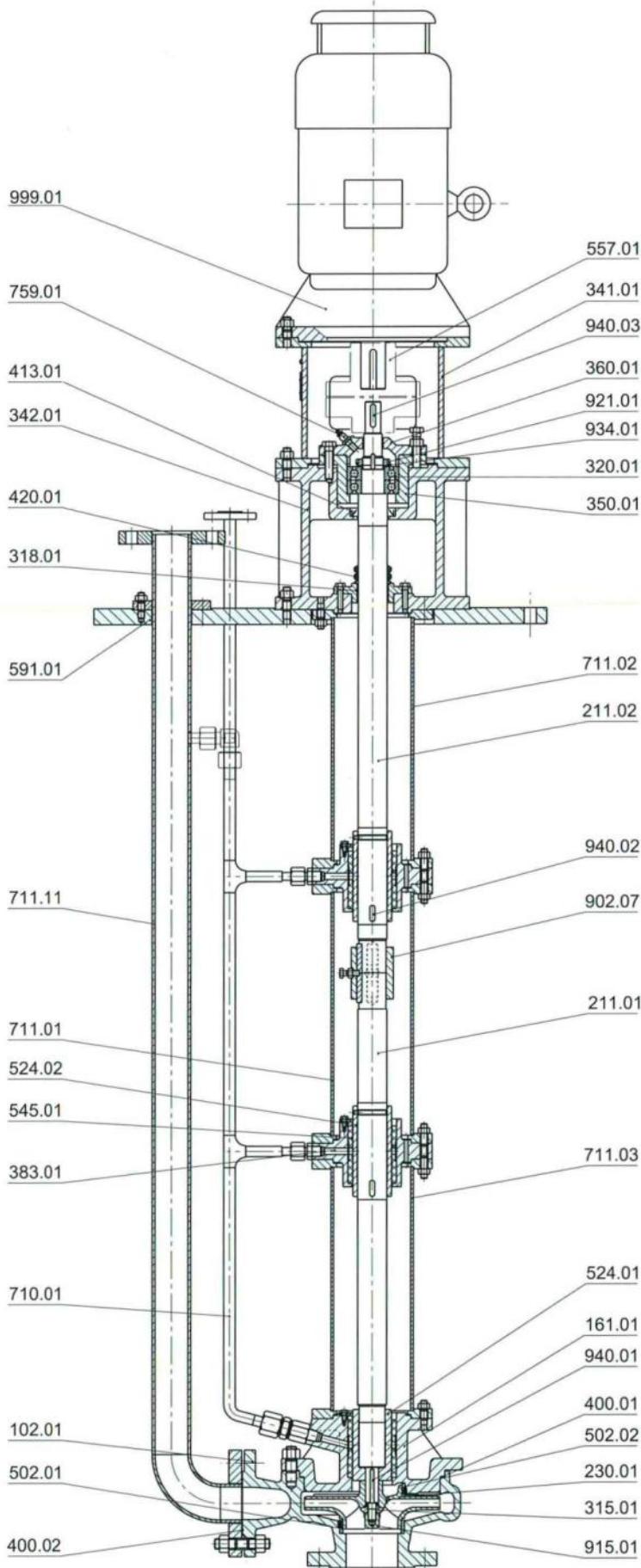
All layouts and systems to API682 are available.

● Direction of rotation

The pump can be manufactured as counterclockwise rotation from the view of driving end or as required by the customer.

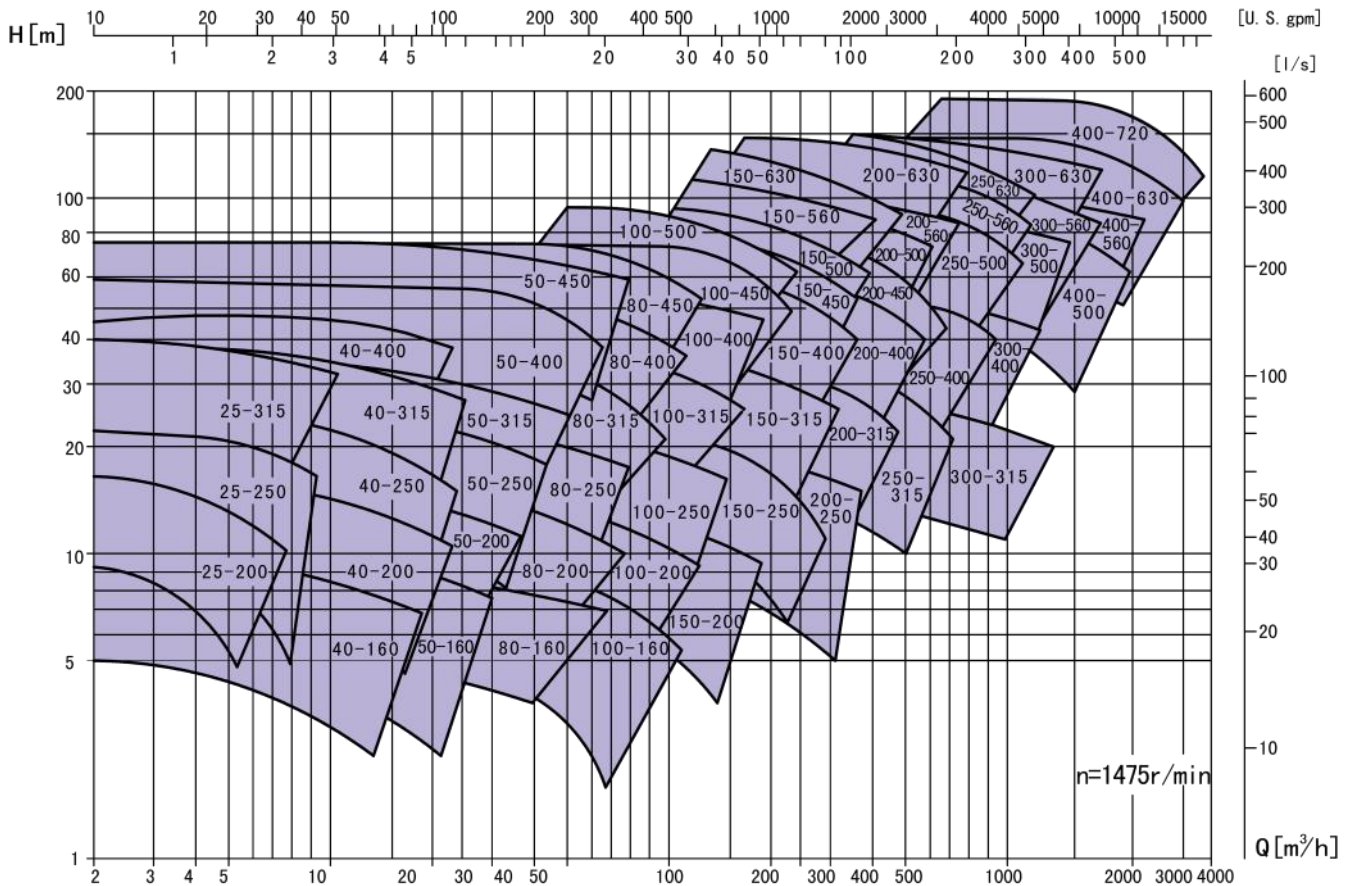
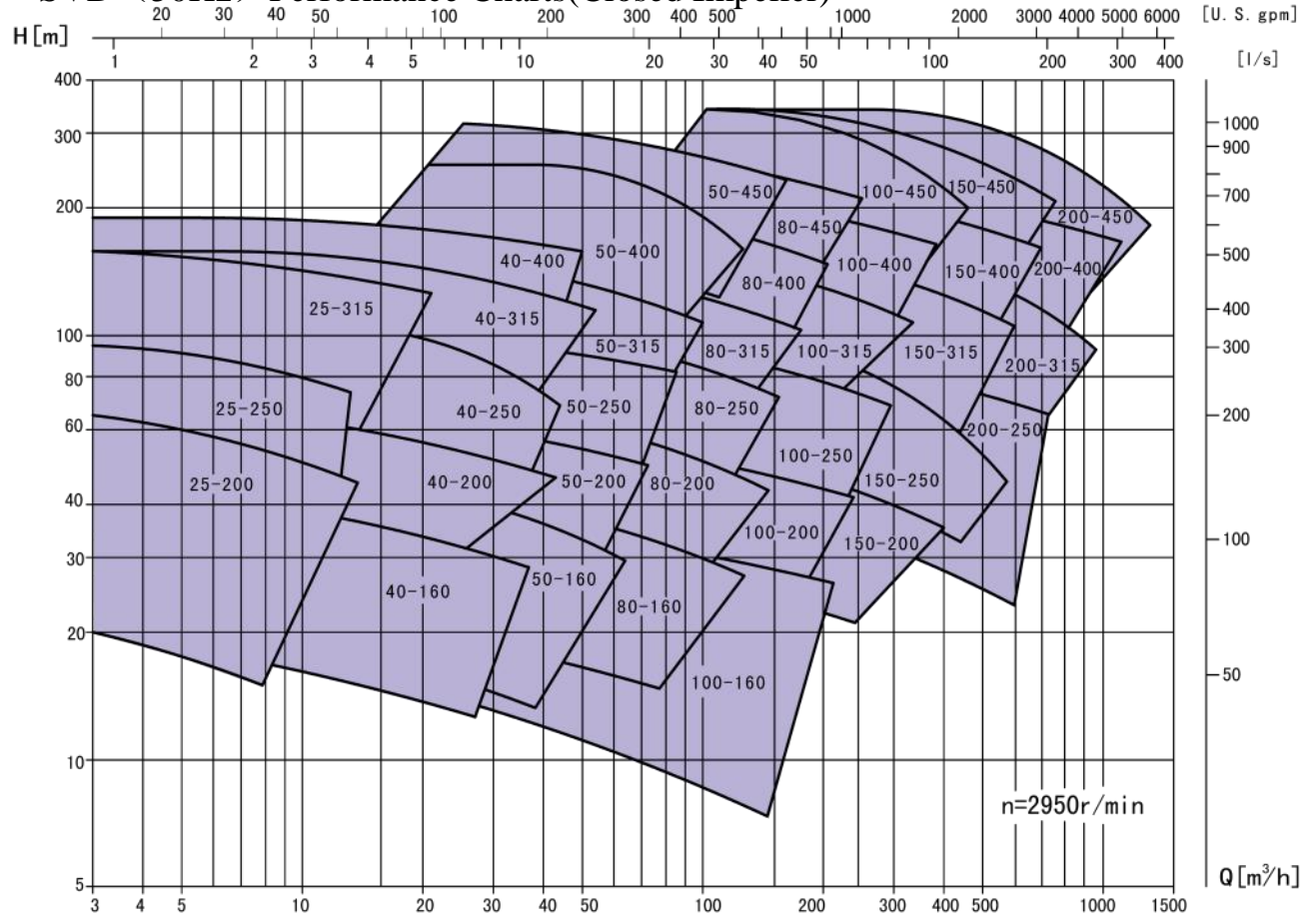


SVD Sectional Drawing(optional structure)

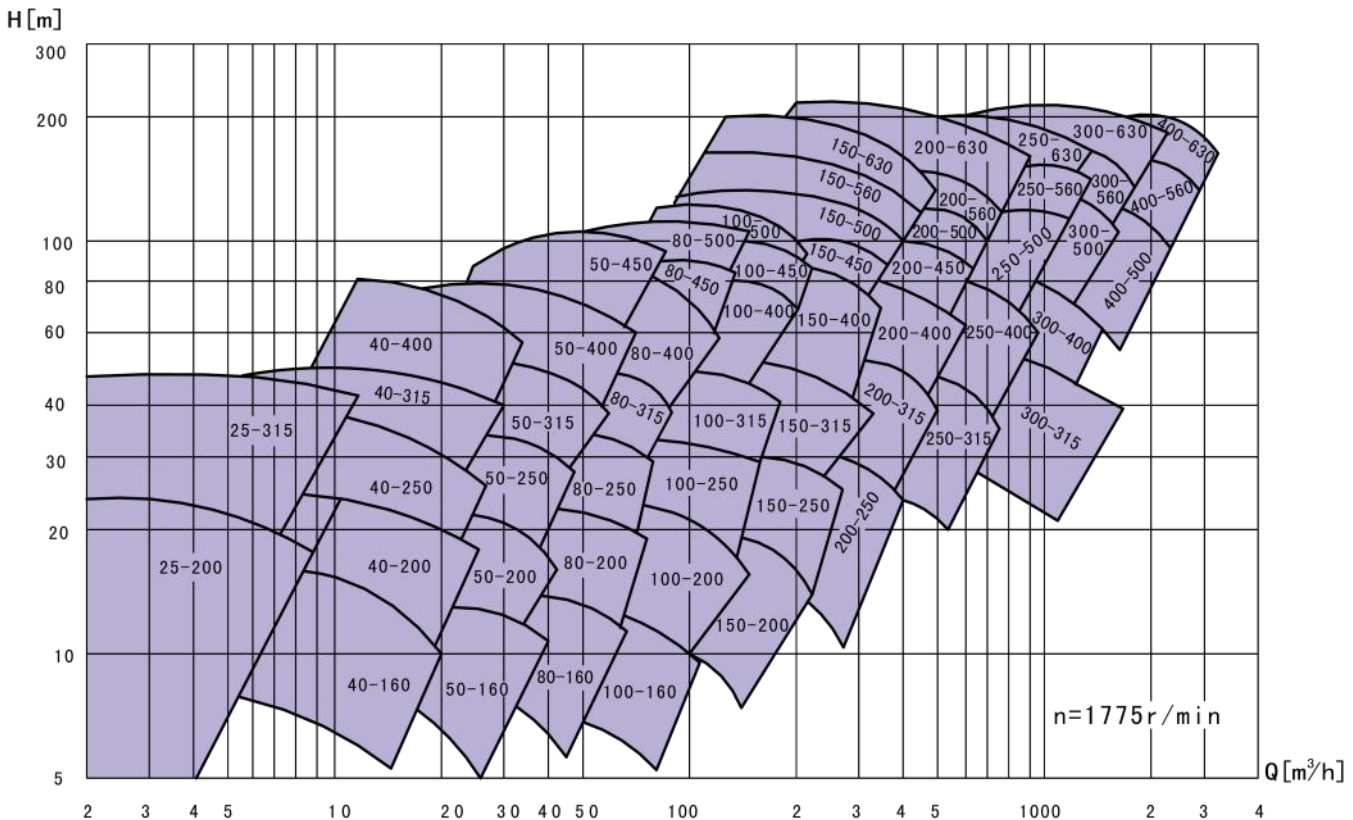
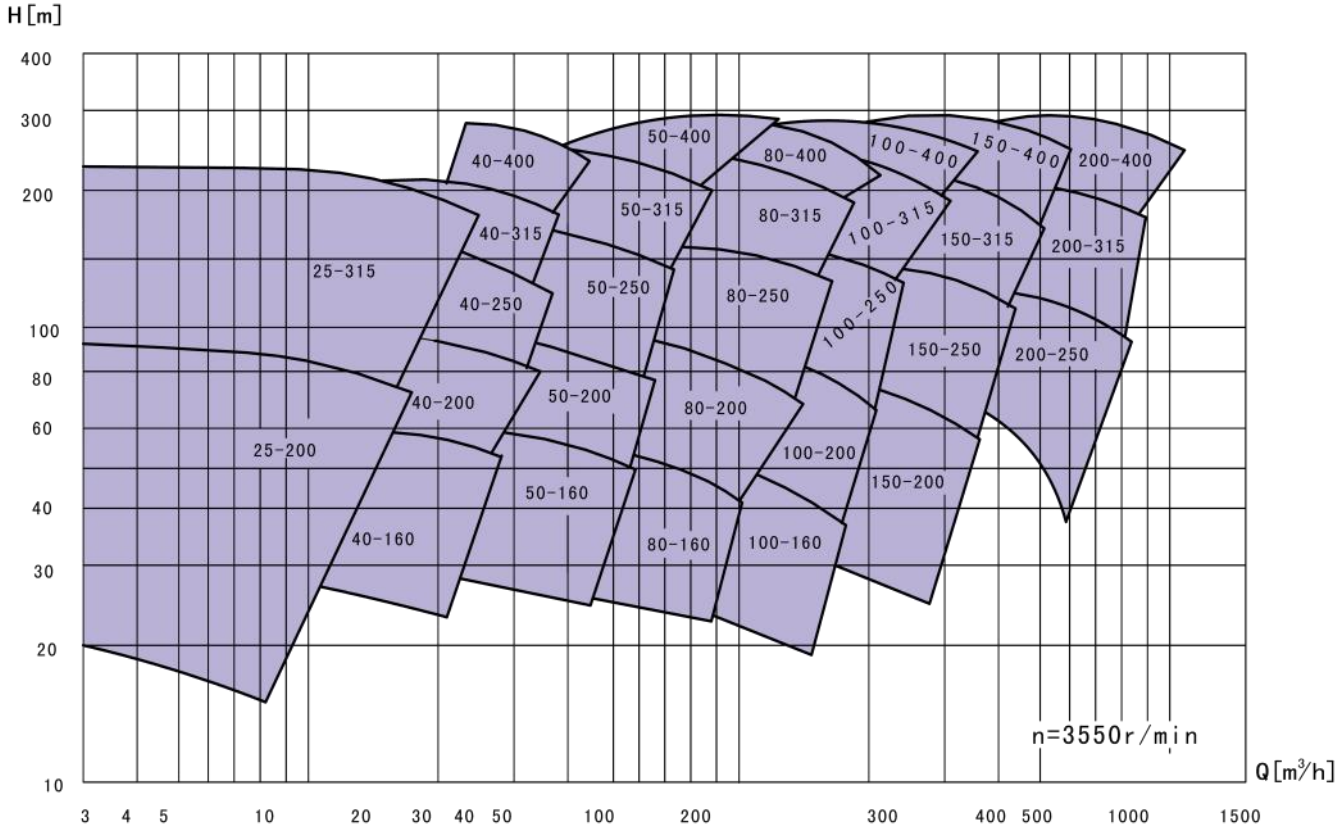


- 102.01 Pump Casing
- 161.01 Pump Cover
- 211.01 Shaft
- 211.02 Shaft
- 230.01 Impeller
- 315.01 Locking Plate
- 318.01 Deflector
- 320.01 Bearing
- 341.01 Motor Bracket
- 342.01 Bearing Bracket
- 350.01 Bearing Body
- 360.01 Bearing Cover
- 383.01 Sliding Bearing Body
- 400.01 Gasket
- 400.02 Gasket
- 413.01 Oil Seal
- 420.01 V-Ring
- 502.01 Casing Wear Ring
- 502.02 Cover Wear Ring
- 524.01 Sleeve
- 524.02 Sleeve
- 545.01 Shaft Bushing
- 557.01 Coupling
- 591.01 Baseplate
- 710.01 Flushing Pipe
- 711.01 Supporting Pipe
- 711.02 Supporting Pipe
- 711.03 Supporting Pipe
- 711.11 Discharge Pipe
- 759.01 Oil Fumarole
- 902.07 Sleeve
- 915.01 Impeller Nut
- 921.01 Locking Nut
- 934.01 Retention Washer
- 940.01 Key
- 940.02 Key
- 940.03 Key
- 999.01 Motor

SVD (50Hz) Performance Charts(Closed Impeller)



SVD (60Hz) Performance Charts(Closed Impeller)



SVD Table of Standard Performance

Type	SY.	Q m³/h	H m	(Speed) n=2900r/min				Q m³/h	H m	(Speed) n=1450r/min					
				Proportion 1.0		Proportion 1.35				Proportion 1.0		Proportion 1.35			
				Power and Type						Power and Type					
32-160	A	20	36	4	YB112M-2	5.5	YB132S1-2	11	9	1.1	YB90S-4	1.1	YB90S-4		
	B	19	27	4	YB112M-2	5.5	YB132S1-2	10	8						
	C	17	28	3	YB100L-2	4	YB112M-2	9	7						
	D	15	18	2.2	YB90L-2	3	YB100L-2	6	5						
	E	13	14					6	3						
32-200	A	20	50	7.5	YB132S2-2	11	YB160M1-2	10	13	1.5	YB90L-4	1.5	YB90L-4		
	B	18	48					9	12						
	C	16	40	5.5	YB132S1-2	7.5	YB132S2-2	8	10						
	D	15	30	4	YB112M-2	5.5	YB132S1-2	8	8						
32-250	A	20	85	15	YB160M2-2	18.5	YB160L-2	11	20	2.2	YB100L1-4	3	YB100L2-4		
	B	20	75					10	19			2.2	YB100L1-4		
	C	18	65	11	YB160M1-2	15	YB160M2-2	9	15						
	D	15	50	7.5	YB132S2-2	11	YB160M1-2	8	11						
40-160	A	30	34	7.5	YB132S2-2	11	YB160M1-2	15	8	1.1	YB90S-4	1.1	YB90S-4		
	B	28	30	5.5	YB132S1-2	7.5	YB132S2-2	15	7						
	C	16	26					14	6						
	D	15	50	3	YB100L-2	5.5	YB132S1-2	12	4						
40-200	A	34	50	11	YB160M1-2	15	YB160M2-2	16	13	1.5	YB90L-4	1.5	YB90L-4		
	B	30	48	7.5	YB132S2-2	11	YB160M1-2	15	12						
	C	26	38	5.5	YB132S1-2	7.5	YB132S2-2	14	9	1.1	YB90S-4	1.1	YB90S-4		
	D	22	30					12	7						
40-250	A	36	85	22	YB180M-2	30	YB200L1-2	20	21	4	YB112M-4	5.5	YB132S-4		
	B	34	80	18.5	YB160L-2	22	YB180M-2	18	20					3	YB100L2-4
	C	30	65	15	YB160M2-2	18.5	YB160L-2	16	15	2.2	YB100L1-4	3	YB100L2-4		
	D	26	50	11	YB160M1-2	15	YB160M2-2	13	12			2.2	YB100L1-4		
50-160	A	55	34	11	YB160M1-2	11	YB160M1-2	30	8	1.5	YB90L-4	2.2	YB100L1-4		
	B	50	30	7.5	YB132S2-2			26	7					1.1	YB90S-4
	C	46	26	5.5	YB132S1-2	7.5	YB132S2-2	24	6	1.5	YB90L-4	1.5	YB90L-4		
	D	40	18			5.5	YB132S1-2	20	4						
50-200	A	65	56	18.5	YB160L-2	22	YB180M-2	34	14	3	YB100L2-4	4	YB112M-4		
	B	65	50	15	YB160M2-2	18.5	YB160L-2	34	12					2.2	YB100L1-4
	C	50	40	11	YB160M1-2	15	YB160M2-2	30	10	1.5	YB90L-4	2.2	YB100L1-4		
	D	40	32	7.5	YB132S2-2	11	YB160M1-2	24	7					1.5	YB90L-4
50-250	A	65	85	30	YB200L1-2	37	YB200L2-2	34	21	5.5	YB132S-4	5.5	YB132S-4		
	B	60	80					30	20					4	YB112M-4
	C	55	65	22	YB180M-2	30	YB200L1-2	26	16	3	YB100L2-4	4	YB112M-4		
	D	45	60	15	YB160M2-2	15	YB160M2-2	24	12	2.2	YB100L1-4	3	YB100L2-4		
65-160	A	100	32	15	YB160M2-2	18.5	YB160L-2	50	8	2.2	YB100L1-4	3	YB100L2-4		
	B	90	32					48	7						
	C	90	24	11	YB160M1-2	15	YB160M2-2	46	6					2.2	YB100L1-4
	D	80	14	5.5	YB132S1-2	7.5	YB132S2-2	38	4						
65-200	A	100	54	22	YB180M-2	30	YB200L1-2	50	13	4	YB112M-4	4	YB112M-4		
	B	90	50					46	12					3	YB100L2-4
	C	90	40	18.5	YB160L-2	22	YB180M-2	42	10	2.2	YB100L1-4	2.2	YB100L2-4		
	D	70	30	11	YB160M1-2	15	YB160M2-2	36	7						
65-250	A	115	85	45	YB225M-2	55	YB250M-2	54	21	11	YB160M-4	11	YB160M-4		
	B	115	75					50	20					5.5	YB132S-4
	C	100	65	37	YB200L2-2	45	YB225M-2	46	16	4	YB112M-4	5.5	YB132S-4		
	D	80	50	30	YB200L1-2	30	YB200L1-2	40	10					4	YB112M-4

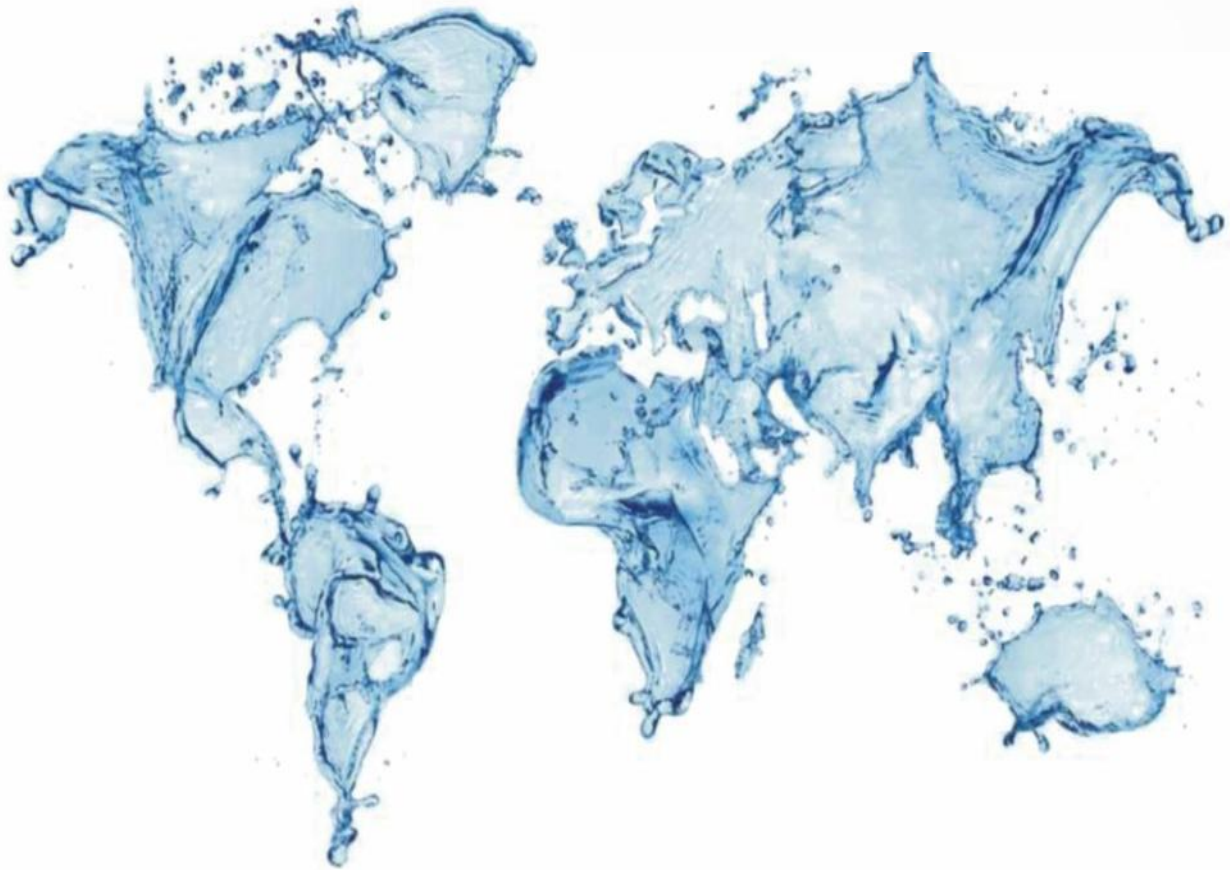
SVD Table of Standard Performance

Type	SY.	Q m³/h	H m	(Speed) n=2900r/min				Q m³/h	H m	(Speed) n=1450r/min					
				Proportion 1.0		Proportion 1.35				Proportion 1.0		Proportion 1.35			
				Power and Type						Power and Type					
80-160	A	170	30	22	YB180M-2	30	YB200L1-2	75	8	3	YB100L2-4	4	YB112M-4		
	B	160	26	18.5	YB160L-2	22	YB180M-2	70	7			3	YB100L2-4		
	C	150	22	15	YB160M2-2	18.5	YB160L-2	70	5	2.2	YB100L1-4	2.2	YB100L1-4		
	D	130	16	11	YB160M1-2	15	YB160M2-2	65	4			2.2	YB100L1-4		
80-200	A	150	50	37	YB200L2-2	45	YB225M-2	80	12	5.5	YB132S-4	11	YB160M-4		
	B	140	46	30	YB200L1-2	37	YB200L2-2	75	11	4	YB112M-4	5.5	YB132S-4		
	C	130	38	22	YB180M-2	30	YB200L1-2	65	9	3	YB100L2-4	4	YB112M-4		
	D	110	26	15	YB160M2-2	18.5	YB160L-2	60	6			3	YB100L2-4		
80-250	A	190	80	75	YB280S-2	90	YB280M-2	90	20	11	YB160M-4	11	YB160M-4		
	B	180	75	55	YB250M-2	75	YB280S-2	90	19						
	C	170	70	45	YB225M-2	75	YB280S-2	85	17						
	D	150	55	37	YB200L2-2	55	YB250M-2	75	14	5.5	YB132S-4	5.5	YB132S-4		
	E	130	47	30	YB200L1-2	37	YB200L2-2	70	11						
100-200	A	220	45	45	YB225M-2	55	YB250M-2	115	11	5.5	YB132S-4	11	YB160M-4		
	B	200	40	30	YB200L1-2	45	YB225M-2	100	10						
	C	180	30	22	YB180M-2	30	YB200L1-2	90	8			5.5	YB132S-4	5.5	YB132S-4
	D	150	25					80	6						

Type	SY.	Q m³/h	H m	(Speed) n=1450r/min				Type	SY.	Q m³/h	H m	(Speed) n=1450r/min			
				Proportion 1.0		Proportion 1.35						Proportion 1.0		Proportion 1.35	
				Power and Type								Power and Type			
40-315	A	22	36	11	YB160M-4	11	YB160M-4	50-315	A	42	36	11	YB160M-4	11	YB160M-4
	B	22	32	5.5	YB132S-4		YB160M-4		B	42	32				
	C	20	24	4	YB112M-4	5.5	YB132S-4		C	40	26				
	D	18	18			4	YB112M-4		D	36	20				
65-315	A	64	32	11	YB160M-4	15	YB160L-4	80-315	A	100	32	15	YB160L-4	18.5	YB180M-4
	B	61	30			11	YB160M-4		B	95	30			15	YB160L-4
	C	56	28			11	YB160M-4		C	85	24			15	YB160L-4
	D	54	24	5.5	YB132S-4	11	YB160M-4		D	70	18	15	YB160L-4		
	E	50	20			5.5	YB132S-4		5.5	YB132S-4					
	F	52	16			5.5	YB132S-4		5.5	YB132S-4					
100-250	A	130	20	15	YB160L-4	30	YB200L-4	100-315	A	132	32	30	YB200L-4	30	YB200L-4
	B	130	18	11	YB160M-4	15	YB160L-4		B	120	30	18.5	YB180M-4		
	C	120	14			11	YB160M-4		11	YB160M-4	C	100	26	15	YB160L-4
	D	100	10						D	90	21				
125-250	A	200	20	18.5	YB180M-4	22	YB180L-4	125-315	A	200	30	30	YB200L-4	37	YB225S-4
	B	200	18	15	YB160L-4	18.5	YB180M-4		B	180	30	30	YB200L-4	30	YB200L-4
	C	194	14	11	YB160M-4	15	YB160L-4		C	170	24	18.5	YB180M-4	18.5	YB180M-4
	D	160	10			11	YB160M-4		11	YB160M-4	D	160	24	15	YB160L-4
150-250	A	320	17	22	YB180L-4	30	YB200L-4	150-315	A	380	30	45	YB225M-4	75	YB280S-4
	B	300	15	18.5	YB180M-4				B	340	26	37	YB225S-4	45	YB225M-4
	C	280	13			C	320		20	30	YB200L-4	37	YB225S-4		
	D	260	12	15	YB160L-4	18.5	YB180M-4		D	300	17	22	YB180L-4	30	YB200L-4
	E	240	11	11	YB160M-4	15	YB160L-4								



Pumps & Systems



SOURCE PUMPS & SYSTEMS CO.,LTD

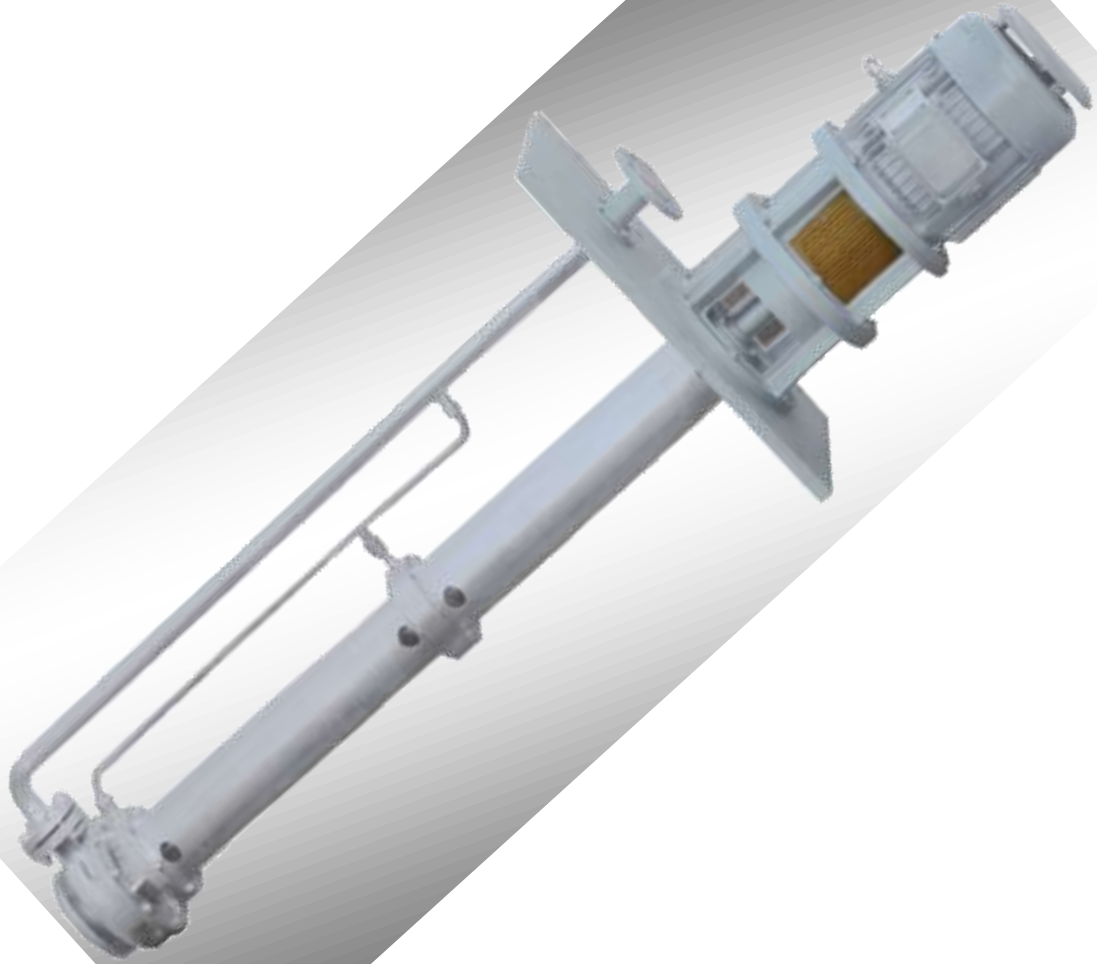
*Add: No.18 Xidian, Qian mu cheng yi, Ying cheng zi Street,
Ganjingzi District, Dalian, China 116036*

Tel: +86-411-39082835/+86-411-66853898

Fax: +86-411-86715305

E-mail: export@sourcegroup.com.cn

<http://www.sourcegroup.com.cn> <http://www.sourcepump.com>



SVS vertical suspended
type lineshaft sump pump
(API610 VS4)

Source Pumps & Systems Co., LTD.
www.sourcepump.com

● Overview

Series SVS is a vertical single- or multi-stage centrifugal pump with the single-suction first-stage impeller, used for pumping clean or contaminated low- or high-temperature media and chemically neutral or corrosive media, especially for pumping sewage, sump oil and other liquids.

Series SVS pumps comply with the design requirements in API 610 10th/API 610 11th.

● Application range

- ◎ Petrochemical plant
- ◎ Chemical plant
- ◎ Waterworks
- ◎ Paper making plant
- ◎ Cement plant
- ◎ Steel mills
- ◎ Steel rolling company
- ◎ Sewage pumping for city sewage farm
- ◎ Thermal power company
- ◎ Sewage pumping for off-shore oil extraction

● Technical

- ◎ Capacity Q: up to 2 ~ 400 m³/h
- ◎ Head H: up to 4 ~ 100 m
- ◎ Pressure P: up to 2.5 MPa
- ◎ Temperature t: -20 ~ +120°C

● Materials

Main materials: S-3, S-5, S-6, S-8, S-9, C-6, A-7, A-8, D-1, D-2 or other materials.

● Sealing

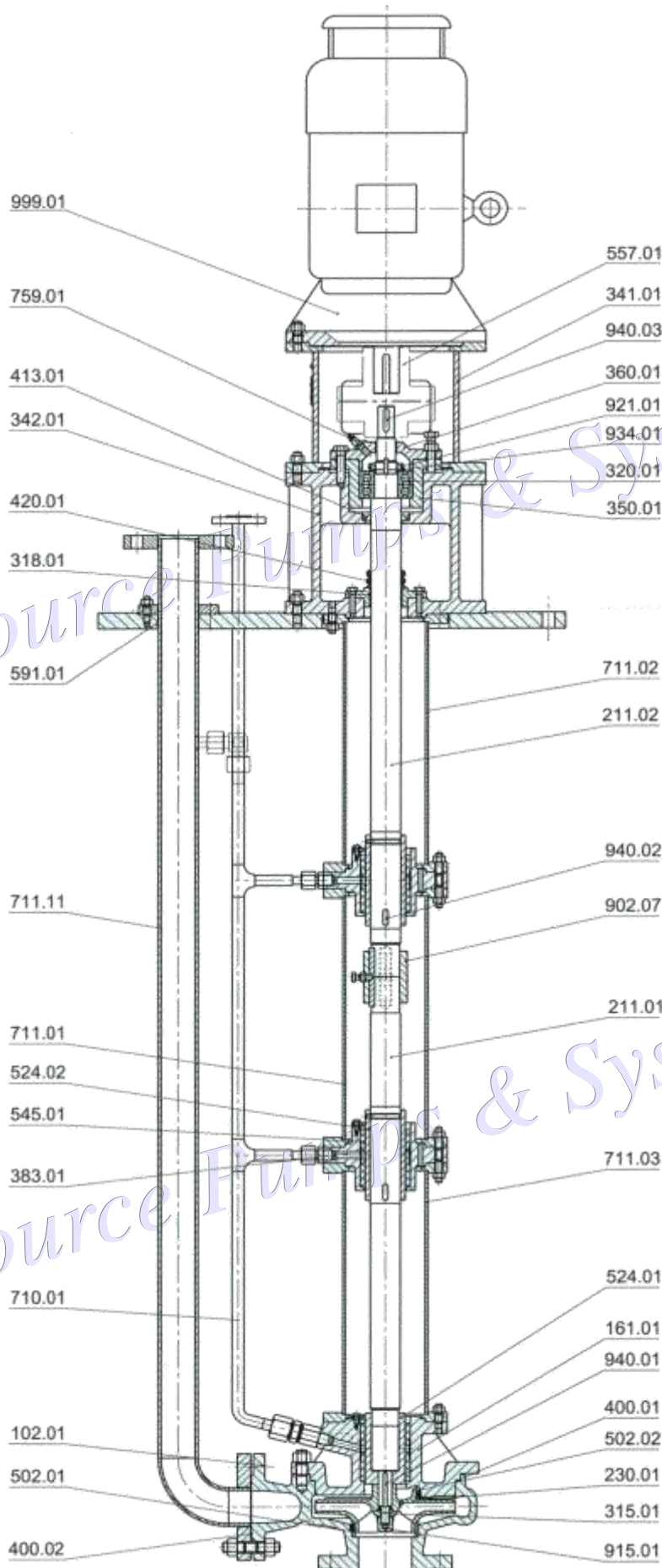
All layouts and systems to API682 are available.

● Direction of rotation

The pump can be manufactured as counterclockwise rotation from the view of driving end or as required by the customer.



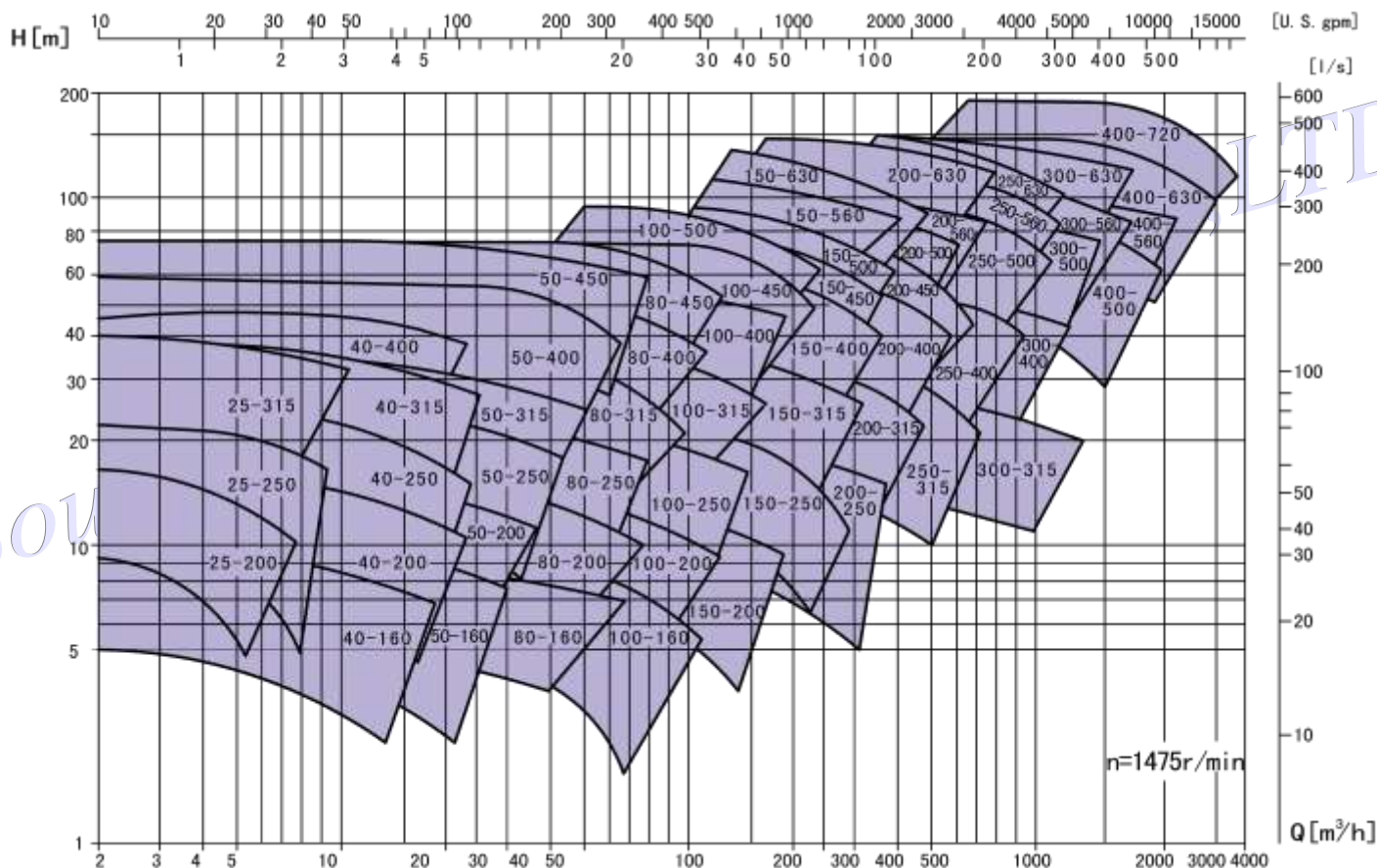
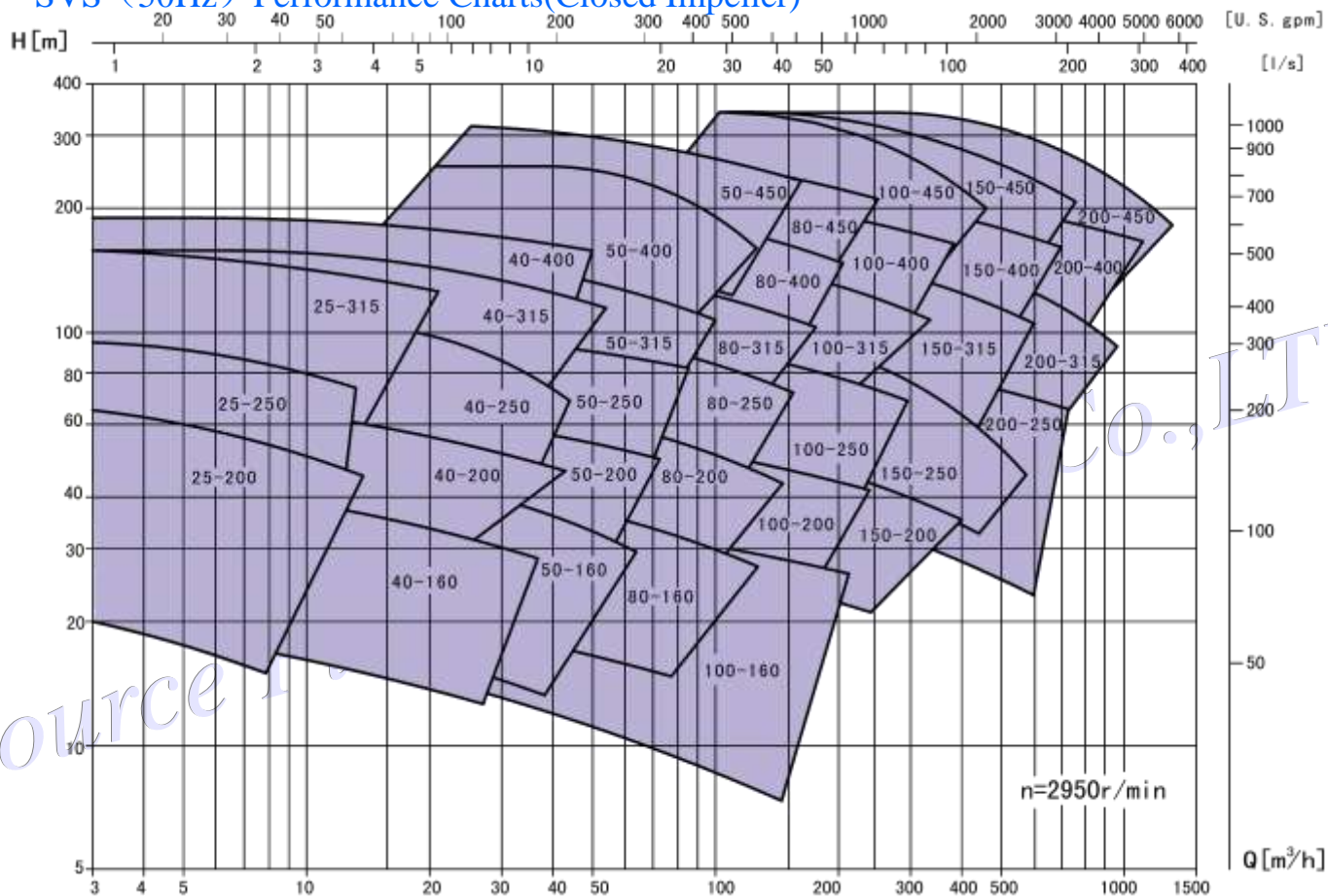
SVS Sectional Drawing(optional structure)



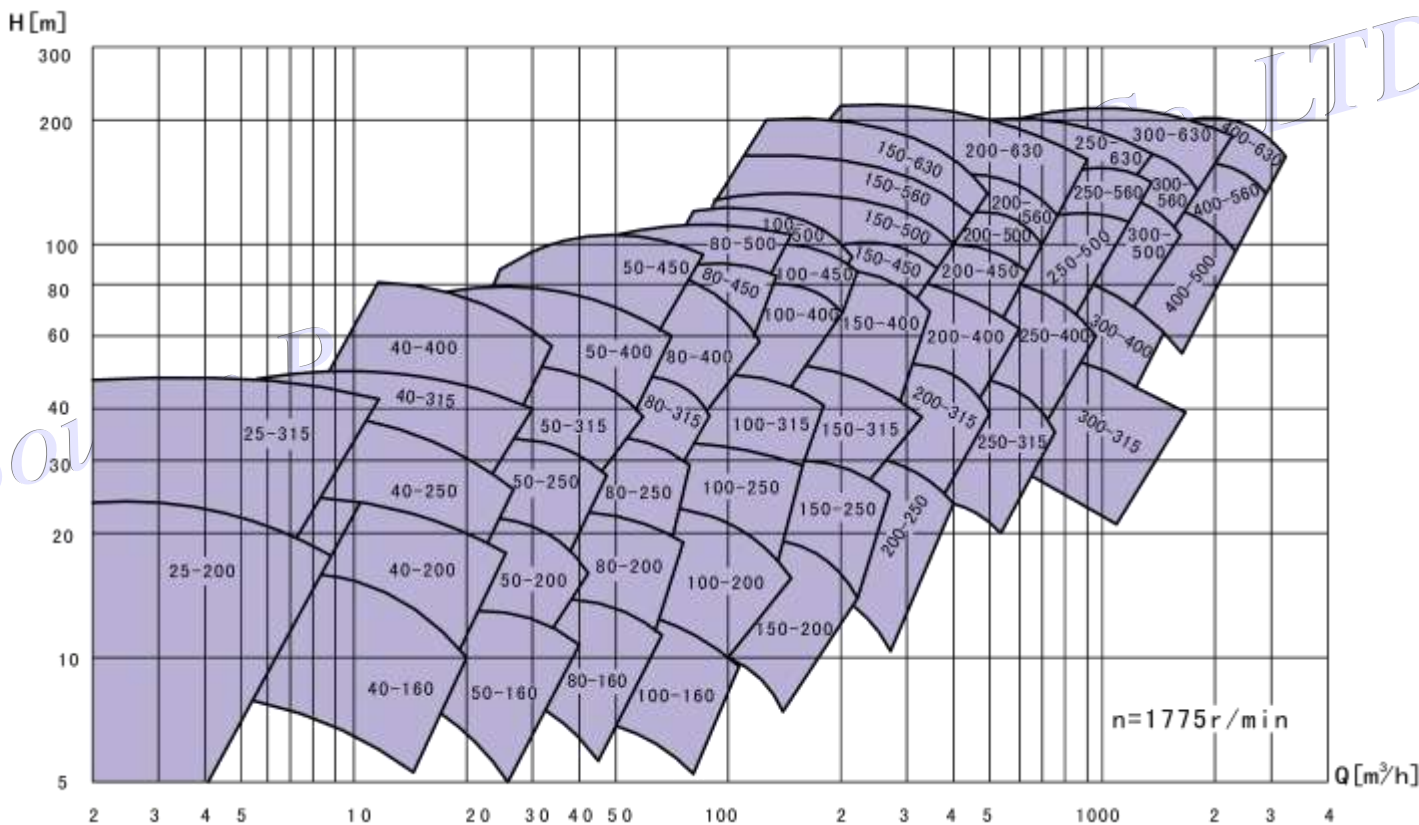
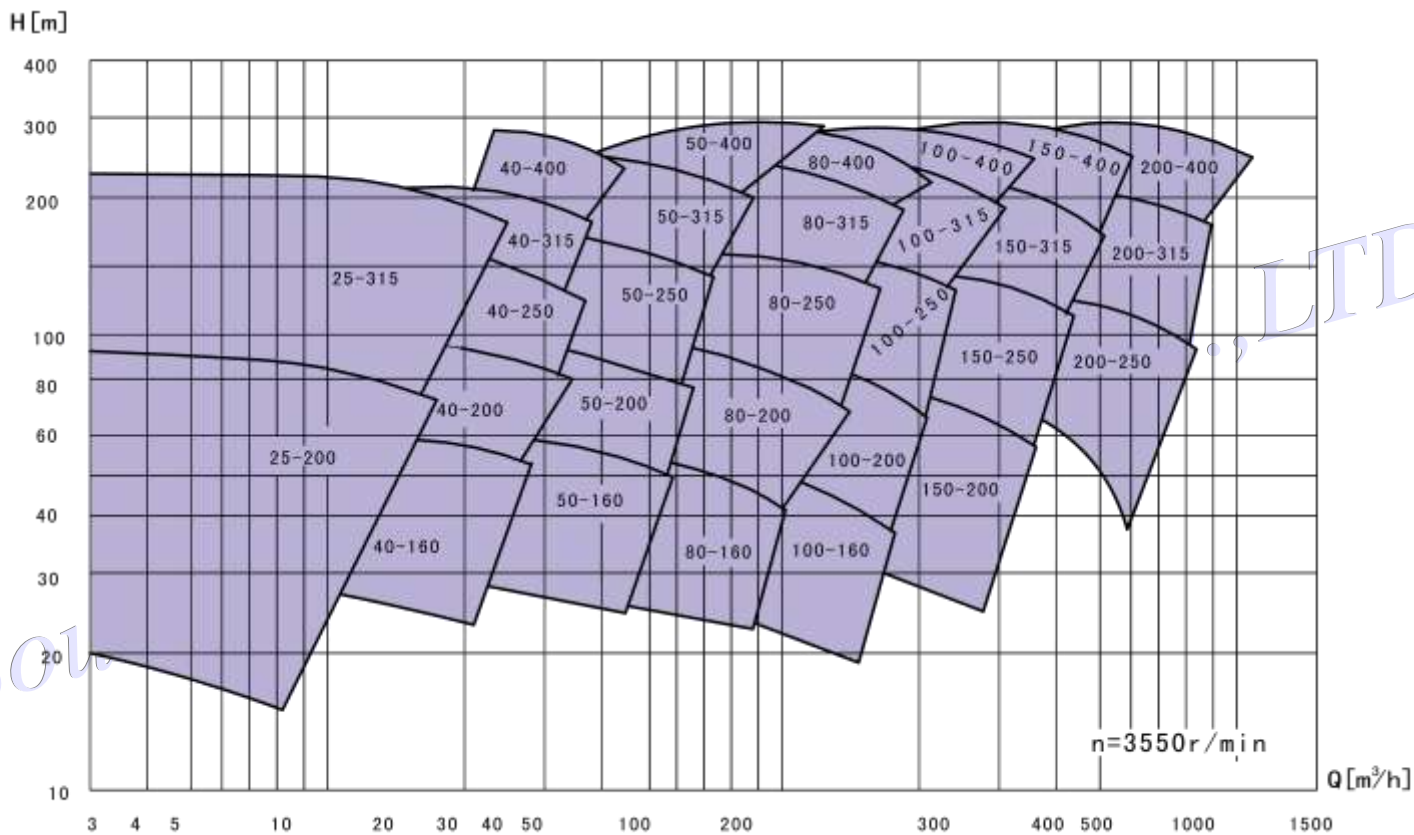
- 102.01 Pump Casing
- 161.01 Pump Cover
- 211.01 Shaft
- 211.02 Shaft
- 230.01 Impeller
- 315.01 Locking Plate
- 318.01 Deflector
- 320.01 Bearing
- 341.01 Motor Bracket
- 342.01 Bearing Bracket
- 350.01 Bearing Body
- 360.01 Bearing Cover
- 383.01 Sliding Bearing Body
- 400.01 Gasket
- 400.02 Gasket
- 413.01 Oil Seal
- 420.01 V-Ring
- 502.01 Casing Wear Ring
- 502.02 Cover Wear Ring
- 524.01 Sleeve
- 524.02 Sleeve
- 545.01 Shaft Bushing
- 557.01 Coupling
- 591.01 Baseplate
- 710.01 Flushing Pipe
- 711.01 Supporting Pipe
- 711.02 Supporting Pipe
- 711.03 Supporting Pipe
- 711.11 Discharge Pipe
- 759.01 Oil Fumarole
- 902.07 Sleeve
- 915.01 Impeller Nut
- 921.01 Locking Nut
- 934.01 Retention Washer
- 940.01 Key
- 940.02 Key
- 940.03 Key
- 999.01 Motor



SVS (50Hz) Performance Charts(Closed Impeller)



SVS (60Hz) Performance Charts(Closed Impeller)





SVS Table of Standard Performance

Type	SY	Q m³/h	H m	(Speed) n=2900r/min				Q m³/h	H m	(Speed) n=1450r/min			
				Proportion 1.0		Proportion 1.35				Proportion 1.0		Proportion 1.35	
				Power and Type						Power and Type			
32-160	A	20	36	4	YB112M-2	5.5	YB132S1-2	11	9	1.1	YB90S-4	1.1	YB90S-4
	B	19	27	4	YB112M-2	5.5	YB132S1-2	10	8				
	C	17	28	3	YB100L-2	4	YB112M-2	9	7				
	D	15	18	2.2	YB90L-2	3	YB100L-2	6	5				
	E	13	14					6	3				
32-200	A	20	50	7.5	YB132S2-2	11	YB160M1-2	10	13	1.5	YB90L-4	1.5	YB90L-4
	B	18	48					9	12				
	C	16	40	5.5	YB132S1-2	7.5	YB132S2-2	8	10				
	D	15	30	4	YB112M-2	5.5	YB132S1-2	8	8				
32-250	A	20	85	15	YB160M2-2	18.5	YB160L-2	11	20	2.2	YB100L1-4	3	YB100L2-4
	B	20	75					10	19				
	C	18	65	11	YB160M1-2	15	YB160M2-2	9	15			2.2	YB100L1-4
	D	15	50	7.5	YB132S2-2	11	YB160M1-2	8	11				
40-160	A	30	34	7.5	YB132S2-2	11	YB160M1-2	15	8	1.1	YB90S-4	1.1	YB90S-4
	B	28	30	5.5	YB132S1-2	7.5	YB132S2-2	15	7				
	C	16	26					5.5	YB132S1-2				
	D	15	50	3	YB100L-2	5.5	YB132S1-2	12	4				
40-200	A	34	50	11	YB160M1-2	15	YB160M2-2	16	13	1.5	YB90L-4	1.5	YB90L-4
	B	30	48	7.5	YB132S2-2	11	YB160M1-2	15	12				
	C	26	38	5.5	YB132S1-2	7.5	YB132S2-2	14	9	1.1	YB90S-4	1.1	YB90S-4
	D	22	30					12	7				
40-250	A	36	85	22	YB180M-2	30	YB200L1-2	20	21	2.2	YB100L1-4	4	YB112M-4
	B	34	80	18.5	YB160L-2	22	YB180M-2	18	20				
	C	30	65	15	YB160M2-2	18.5	YB160L-2	16	15			3	YB100L2-4
	D	26	50	11	YB160M1-2	15	YB160M2-2	13	12				
50-160	A	55	34	11	YB160M1-2	11	YB160M1-2	30	8	1.1	YB90S-4	2.2	YB100L1-4
	B	50	30	7.5	YB132S2-2			26	7				
	C	46	26	5.5	YB132S1-2	7.5	YB132S2-2	24	6			1.5	YB90L-4
	D	40	18			5.5	YB132S1-2	20	4				
50-200	A	65	56	18.5	YB160L-2	22	YB180M-2	34	14	1.5	YB90L-4	3	YB100L2-4
	B	65	50	15	YB160M2-2	18.5	YB160L-2	34	12				
	C	50	40	11	YB160M1-2	15	YB160M2-2	30	10			2.2	YB100L1-4
	D	40	32	7.5	YB132S2-2	11	YB160M1-2	24	7				
50-250	A	65	85	30	YB200L1-2	37	YB200L2-2	34	21	2.2	YB100L1-4	5.5	YB132S-4
	B	60	80					30	20				
	C	55	65	22	YB180M-2	30	YB200L1-2	26	16			3	YB100L2-4
	D	45	60	15	YB160M2-2	15	YB160M2-2	24	12				
65-160	A	100	32	15	YB160M2-2	18.5	YB160L-2	50	8	2.2	YB100L1-4	3	YB100L2-4
	B	90	32					48	7				
	C	90	24	11	YB160M1-2	15	YB160M2-2	46	6			2.2	YB100L1-4
	D	80	14	5.5	YB132S1-2	7.5	YB132S2-2	38	4				
65-200	A	100	54	22	YB180M-2	30	YB200L1-2	50	13	2.2	YB100L1-4	4	YB112M-4
	B	90	50					46	12				
	C	90	40	18.5	YB160L-2	22	YB180M-2	42	10			3	YB100L2-4
	D	70	30	11	YB160M1-2	15	YB160M2-2	36	7				
65-250	A	115	85	45	YB225M-2	55	YB250M-2	54	21	4	YB112M-4	11	YB160M-4
	B	115	75					50	20				
	C	100	65	37	YB200L2-2	45	YB225M-2	46	16			5.5	YB132S-4
	D	80	50	30	YB200L1-2	30	YB200L1-2	40	10				



SVS Table of Standard Performance

Type	SY.	Q m³/h	H m	(Speed) n=2900r/min						(Speed) n=1450r/min					
				Proportion 1.0			Proportion 1.35			Q m³/h	H m	Proportion 1.0		Proportion 1.35	
				Power and Type								Power and Type			
80-160	A	170	30	22	YB180M-2	30	YB200L1-2	75	8	3	YB100L2-4	4	YB112M-4		
	B	160	26	18.5	YB160L-2	22	YB180M-2	70	7			3	YB100L2-4	3	YB100L2-4
	C	150	22	15	YB160M2-2	18.5	YB160L-2	70	5	2.2	YB100L1-4	2.2	YB100L1-4		
	D	130	16	11	YB160M1-2	15	YB160M2-2	65	4			2.2	YB100L1-4	2.2	YB100L1-4
80-200	A	150	50	37	YB200L2-2	45	YB225M-2	80	12	5.5	YB132S-4	11	YB160M-4		
	B	140	46	30	YB200L1-2	37	YB200L2-2	75	11	4	YB112M-4	5.5	YB132S-4		
	C	130	38	22	YB180M-2	30	YB200L1-2	65	9	3	YB100L2-4	4	YB112M-4		
	D	110	26	15	YB160M2-2	18.5	YB160L-2	60	6			3	YB100L2-4	3	YB100L2-4
80-250	A	190	80	75	YB280S-2	90	YB280M-2	90	20	11	YB160M-4	11	YB160M-4		
	B	180	75	55	YB250M-2	75	YB280S-2	90	19						
	C	170	70	45	YB225M-2	75	YB280S-2	85	17	5.5	YB132S-4	5.5	YB132S-4		
	D	150	55	37	YB200L2-2	55	YB250M-2	75	14						
	E	130	47	30	YB200L1-2	37	YB200L2-2	70	11						
100-200	A	220	45	45	YB225M-2	55	YB250M-2	115	11	5.5	YB132S-4	11	YB160M-4		
	B	200	40	30	YB200L1-2	45	YB225M-2	100	10						
	C	180	30	22	YB180M-2	30	YB200L1-2	90	8			5.5	YB132S-4	5.5	YB132S-4
	D	150	25					80	6						

Type	SY.	Q m³/h	H m	(Speed) n=1450r/min						Type	SY.	Q m³/h	H m	(Speed) n=1450r/min					
				Proportion 1.0			Proportion 1.35							Q m³/h	H m	Proportion 1.0		Proportion 1.35	
				Power and Type												Power and Type			
40-315	A	22	36	11	YB160M-4	11	YB160M-4	50-315	A	42	36	11	YB160M-4	11	YB160M-4				
	B	22	32	5.5	YB132S-4														
	C	20	24	4	YB112M-4	5.5	YB132S-4												
	D	18	18			4	YB112M-4												
65-315	A	64	32	11	YB160M-4	15	YB160L-4	80-315	A	100	32	15	YB160L-4	18.5	YB180M-4				
	B	61	30			11	YB160M-4		15	YB160L-4									
	C	56	28			11	YB160M-4		15	YB160L-4									
	D	54	24			11	YB160M-4		15	YB160L-4									
	E	50	20	5.5	YB132S-4	5.5	YB132S-4												
	F	52	16			5.5	YB132S-4												
100-250	A	130	20	15	YB160L-4	30	YB200L-4	100-315	A	132	32	30	YB200L-4	30	YB200L-4				
	B	130	18	11	YB160M-4	15	YB160L-4		B	120	30	18.5	YB180M-4	15	YB160L-4				
	C	120	14			11	YB160M-4		11	YB160M-4	C	100	26			15	YB160L-4	15	YB160L-4
	D	100	10	11	YB160M-4	11	YB160M-4		D	90	21	15	YB160L-4	15	YB160L-4				
125-250	A	200	20	18.5	YB180M-4	22	YB180L-4	125-315	A	200	30	30	YB200L-4	37	YB225S-4				
	B	200	18	15	YB160L-4	18.5	YB180M-4		B	180	30			30	YB200L-4	30	YB200L-4		
	C	194	14	11	YB160M-4	15	YB160L-4		C	170	24	18.5	YB180M-4	18.5	YB180M-4				
	D	160	10			11	YB160M-4		11	YB160M-4	D	160	24			15	YB160L-4		
150-250	A	320	17	22	YB180L-4	30	YB200L-4	150-315	A	380	30	45	YB225M-4	75	YB280S-4				
	B	300	15	18.5	YB180M-4				30	YB200L-4	B	340	26	37	YB225S-4	45	YB225M-4		
	C	280	13	15	YB160L-4	18.5	YB180M-4		C	320	20	30	YB200L-4	37	YB225S-4				
	D	260	12	11	YB160M-4	15	YB160L-4		D	300	17	22	YB180L-4	30	YB200L-4				
	E	240	11	11	YB160M-4	15	YB160L-4												



SOURCE PUMPS & SYSTEMS CO.,LTD

***Add: No.18 Xidian, Qian mu cheng yi, Ying cheng zi Street,
Ganjingzi District, Dalian, China 116036***

Tel: +86-411-39082835/+86-411-66853898

Fax: +86-411-86715305

E-mail: export@sourcegroup.com.cn

<http://www.sourcegroup.com.cn>/<http://www.sourcepump.com>